

# CATALOGUE



*Principal Products*

# *Product* **GROUP**



**TRANSMISSION CHAINS**

**TRANSMISSION CHAINS  
ADAPTED FOR CONVEYING**



**LEAF CHAINS**



**CHAINS  
FOR AGRICULTURAL  
APPLICATIONS**



**CONVEYOR CHAINS**



**WHEELS AND SPROCKETS**



# HISTORY

1890

**1895** : PEUGEOT started manufacture of chains in Saint Siméon de Bressieux (Isère)

1900

**1904** : DARBILLY Chain (Seine)

1940

**1920** : VERJOUX Production plant in Verrières de Joux (Doubs)

1960

**1946** : Creation of the mechanical transmissions Company **SEine Douds ISere** (Peugeot group), hence **SEDIS**

1970

**1972** : Creation of the UK branch **SEDIS Co Limited**

1980

**1993** : Acquisition of **ERGE** (founded in 1937)

1990

**1994** : Acquisition of **SEBIN** (founded in 1866)

2000

**2002** : Creation of **S2CI** (Société de Commercialisation de Composants Industriels)

2010

**2010** : Became a part of the MURUGAPPA Group

**2013** : Opening of SEDIS SERVICE (installation, maintenance and rehabilitation of conveyors on sites)

**2014** : Creation of the Italian branch SEDIS SERVICE CENTER

**2016** : Creation of SEDIS GmbH in Germany

Opening of a SEDIS SERVICE CENTER in Birmingham, UK

## A DYNAMIC INTERNATIONAL FRENCH COMPANY



**2** FACTORIES  
IN FRANCE

**3** BRANCHES  
IN EUROPE

MORE THAN  
**100**  
DISTRIBUTORS

IN  
**48** COUNTRIES

## GENERAL INFORMATION

### ■ Practical advice

General design of installation	4
Drive assembly accuracy	5
Chain lubrication	6
Product implementation - safety	7
Maintenance	8
Chain length adjustment - shortening	9

### ■ SEDIS Chains

SEDIS ranges : DELTA®, ALPHA <i>Premium</i> & RECORD®	10
Constituent parts of power transmission roller chain	12
Manufacturing process	12
Quality	12

### ■ SEDIS specifications

Wear (elongation)	13
Fatigue and traction (load breaking of the plates)	14
Corrosion	16
Lubrication free	18

## TRANSMISSION ROLLER CHAINS

### ■ European Series BS - dimensions

RECORD® range	20
ALPHA <i>Premium</i> range	21
DELTA® range	22

### ■ Américan Series ANSI - dimensions

ALPHA <i>Premium</i> range	23
RECORD® range	25

### ■ Connecting links

	26
--	----

## SPECIAL & ADAPTED TRANSMISSION CHAINS

Straight side plate chains	28
Chains with deep link side plates	29
Conveyor belt chains	29
Hollow bearing pin chains	30
Side bow chains	31
Accumulation conveyor chains	32
Chains with extended bearing pins	33
Chains with K attachments	34
Chains with M attachments	35
Chains with special attachments "type B"	36
Chains with special attachments "type Z"	37
Angled vertical plate chains	38
Gripper chains	38
Accumulation conveyor chains with "KC" type attachment	39
Chains with V-shaped plates	40
Chains with spike attachments	41
Spike plate chains	42

# CONTENTS

Page

## SPROCKETS, CHAINWHEELS AND PLATEWHEELS

Wheels and sprockets for type B roller chains	44
Sprockets with taper bushes	47
Taper bushes	48



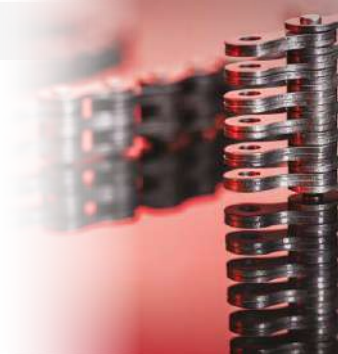
## LEAF CHAINS

### ■ Leaf chains

AL series chains	50
J (LL) series chains	51
LH (BL) series chains	52

### ■ Accessories for leaf chains

Clevises	53
End links	54



## AGRICULTURAL CHAINS

Type "S" chains with solid bearing pin	56
Attachments for "S" type chains	57
Type "A" chains with hollow bearing pin - Attachments & Standard sprockets	58



## CONVEYOR CHAINS

### ■ ISO & BS Solid pin conveyor chains

Solid pin conveyor chains as per ISO 1977	60
K attachments and scrapers for solid pin conveyor chains as per ISO 1977	61
Drilled side plates and deep link side plates for solid pin chains as per ISO 1977	62
Solid bearing pin BS standard chains	63
K attachments and scrapers for BS solid pin conveyor chains	64
Drilled side plates and deep link side plates for BS solid pin chains	65

### ■ ISO hollow pin conveyor chains

Wheels and sprockets for ISO conveyor chains	67
Wheels and sprockets for BS conveyor chains	68

### ■ Wheels & sprockets for conveyor chains



## OTHER PRODUCTS & SERVICES

Chain couplings	70
Accessories & services	71
Available brochures & catalogues	73



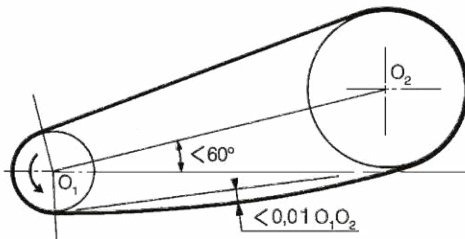
## PRACTICAL ADVICE

The reliability and longevity of a chain, whatever its application, depends not only on its own qualities and characteristics, but also on the care given to the design of the installation as a whole, as well as to its construction, lubrication and maintenance.

### GENERAL DESIGN OF THE INSTALLATION

#### 1 – TRANSMISSION

The centerline of the sprockets  $O_1O_2$  should be horizontal or have a small inclination to the horizontal,



Where the angle of inclination exceeds  $60^\circ$ , and where a vertical drive cannot be avoided, precautions must be taken to ensure proper chain-to-sprocket gearing on the power sprocket,

- The tensioned strand of the chain should preferably be on the top,
- The number of sprocket teeth should be selected from the standard range whenever possible. The normal transmission ratio must not exceed  $1/8$ . Allow for two chain drives in series for higher ratios. It is preferable if the number of sprocket teeth and the number of links are prime numbers,
- Provide shaft center adjustment to ensure that the slack section of the chain is around 1% of the drive centers, provide a further 3% adjustment to compensate for chain wear.
- Tension: initially, the chain will not require any tensioning. But, in certain applications: reciprocation drive direction, frequent stop/start operations... it is necessary to have a tensioning force on the slack strand that does not exceed 10% of the driving force on the tight strand. This can be automatically adjusted or periodically regulated manually. When either the motor torque or the driven machine loading are irregular, in addition to providing a tensioning device on the slack strand, it may be necessary to mount a guiding device on the tight strand to control vibration.

In general, it is preferable, despite introducing correcting coefficients into your calculations, to adhere to the basic principles already outlined. These include: drive shaft centers, neither too short nor too long ; a drive ratio of about  $3/1$  ; a drive sprocket having about 25 teeth ; and ideally simplex chain, but if multiplex, with a minimum multiplicity.

#### 2 – LIFTING WITH LEAF CHAINS

• In case where two or more chains work in parallel, the forces should be well distributed between them, generally by using adjustable fixing clevises to compensate for the dispersion of chain length and the other tolerances in the installation.

- All the fixing devices (clevises, pins, compensator, etc.) must have a strength at least equal to that of the chain.
- It is preferable that the linear speed of the chain is less than  $0,5$  m/s.
- The dimensions of the reversing rollers should satisfy the standard ISO 4347 giving some precise details such as: the diameter of the minimum support  $D_f > 5 p$ .

European regulations do however make it possible to reduce the diameter to 3 times the pitch, but by risking quicker wear of the chain and the roller/wheel.

- The hardness of the roller/wheel should be able to resist wear caused by pivoting under the load of the chain plates at the moment of its arrival on the roller and when it leaves. As a guide, the hardness should be somewhere between 300 et 400 HB.

Using roller chains in lifting, please consult us. It is to be noted however, that in the majority of cases multiplex chains should be planned for.

### 3 – CONVEYING

- Number of teeth per wheel: conveyor chains generally have a pitch large enough to enable accessories to be fitted to the plates, hence the designer will want to reduce the number of teeth on the wheel in order to limit its dimensions. The polygonal effect becomes noticeable when the wheel contains 12 teeth or less, or perhaps more when the rotation speed is significantly high. For particular cases consult us.
- Adjustment of shaft center: The shaft center should be adjustable in order to make chain assembly simpler, to adjust the slack on a section of chain, and its tension, and finally so as to be able to keep up with the normal lengthening of the chain over the duration of its life time. A screwed tensioning device is usually used but automatic systems can equally be employed.



#### Warning !

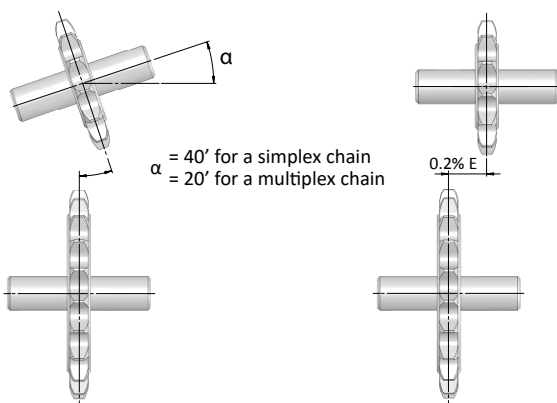
**the chain must not be stretched; an excess of tension will lead to accelerate wear of the chain and eventually of the bearing surface. The tensile force should not exceed 1% of the ultimate tensile strength of the chain.**

- Strand supports and guides: the tensioned strand which generally carries the load is supported by a guiding surface while sliding or rolling. Flanged rollers should be used when the shaft center distance is large or when there is a transversal force.
- The catenary strand can be supported by sliding because it sees less load. The only case where no support is needed is when the pitch circle diameter is small, because then the catenary force becomes prohibitive for the large pitch diameter. In any case, the slack should not exceed 0,4% of the shaft center. This condition can result in a tension force that is too great, if the chain strand is not supported.
- Engagement of the two chain strands on the wheels should be carried out with extreme care: the rail guide should be perfectly aligned with the teeth and should be rounded off at the end of the guide in order to facilitate chain entry.

## DRIVE ACCURACY

### 1 – TRANSMISSION

- **Defects in shaft parallelism** should be less than 40' for a simplex chain and 20' for a multiple row chain.
- **Defects in alignment** must be less than 0,2% out of line of the shaft centers. This limit falls to 0,1% for rapid transmissions. If it is impossible to avoid transverse shaft movement, the sprockets must be aligned in a median position.



parallelism tolerance

alignment tolerance

Sprocket alignment is especially important for multiple strand chains, because of their reduced transverse flexibility.

The consequences of geometry defects are:

- A noisy and vibrating transmission,
- A side wearing of the sprocket teeth and/or the chain inner plates,
- Stresses which may lead to the complete destruction of the chain,
- Improper distribution of the forces on the chain plates when resistance and particularly fatigue limit can be considerably reduced.
- Sprocket teeth concentricity and runout tolerances lies within limits laid down by the standard ISO 606 and should not be altered by assembly (for example when keying a sprocket to a shaft).
- The rigidity of assembly should be such that sprockets alignment and shaft parallelism are not affected by driving forces of the chain when operating.

## PRACTICAL ADVICE

### 2 – LIFTING

- Defects in the alignment and parallelism of fixings and counter motion apparatus should be reduced as much as possible.

### 3 – CONVEYING

- **Defects in wheel alignment** (with  $b_1$  : inner width of the inner link of the chain) :  
 *$b_1 \div 2$  for lengths below 10 meters and  $b_1$  for lengths above 10 meters*
- **Defects in the parallelism of tooth plane:** The wheels must be parallel ( $< 40'$ ).
- When two chains are working in parallel and are joined together with cross bars or with accessories, the chains should be ordered **MATCHED**.

## LUBRICATION

### 1 – THE ROLE OF LUBRICATION

- To introduce lubricating fluid between contacting surfaces (pin/bush, pin/plate, bush/roller, inner linkplate/ outer linkplate, etc.) to reduce wear and to avoid joint seizure.
- To protect the chain against corrosion.
- To reduce noise by introducing the lubricant between surfaces subject to shock loading.
- To transfer heat, generally by contacting moving components.

### 2 – FACTORY LUBRICATION LUB+ ALLOWS:

The chain to be protected against corrosion until it is installed by the user, provided it is not exposed to the elements. Pre-lubrication remains effective six months for chains stored under shelter. It should be complemented with lubrication by the user's maintenance department as soon as the drive is started up. Note pre-lubrication is compatible with all mineral oils. We are able to propose suited lubrications depending on your specific constraints.

### 3 – LUBRICATION METHOD

This should be chosen according to the criteria and characteristics of the installation, depending on its use. There are 4 main ways of applying lubrication:

- 1- manual lubrication (by brush or oil can),
- 2- continuous drip feed lubrication,
- 3- chain passing through an oil tank,
- 4- pressure lubrication by spraying (with filtering and oil cooling if necessary).

In power transmission, any of these four methods can be used, although the choice depends on the type and speed of the chain. When lifting or conveying, manual or continuous drip lubrication is usually employed, although automatic brushes can equally be used.

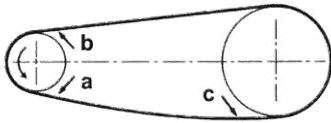


### 4 – FREQUENCY OF LUBRICATION

Quantity of lubricant and frequency of lubrication should be established with care and according to the specifications of lubricant and lubrication devices manufacturers.



## 5 – WHERE LUBRICATING ?



a and c : recommended areas

- **Longitudinally**, in an area where the chain load is low in order to help the lubricant penetration,
- **Transversally**, between the plates to feed the lubricant towards the joints and between the inner plates, the rollers and the wheels.

## 6 – SUITABLE LUBRICANTS ACCORDING TO OPERATING CONDITIONS

In general a good quality clean mineral oil, free from detergent is suitable. Its viscosity must suit the ambient temperature shown in the table hereafter.

Temperature (°C)	Recommended viscosity: ISO VG (Cst)
$-15 < T < 0$	15 to 32
$0 < T < 50$	46 to 150
$50 < T < 80$	220 to 320

The operator must achieve a compromise between a low viscosity lubricant which would centrifuge off the chain without properly lubricating it, and a substance with too high viscosity, which would prevent the lubricant reaching contacting surfaces.

**For special cases, and in particular where lubrication is impossible, please contact us.**

**Unless recommended by us, the use of grease is completely prohibited.**

## PRODUCT IMPLEMENTATION – SAFETY

### 1 – STORAGE, HANDLING

The storage of products before their assembly onto the installation should be such that their initial quality is retained. In particular, the following rules must be obeyed:

- **Keep products away from a damp, corrosive or dusty atmosphere or where they may come into contact with harmful chemicals,**
- Protect against mechanical damages or accidents,
- Do not exceed the stipulated storage period suitable with the original factory lubrication (read 3.2)

The product should be handled with care, and operators should be advised on how to avoid its deterioration. In particular, shocks and forces applied perpendicular to the linkplates can cause kinks in the chain.

### 2 – ASSEMBLY

Before using the chain, it must be ensured that the quality of the installation conforms to advice given here above (read 1 – general design of the installation). When all the checks have been made, adjust chain length.

When assembling, the following safety rules should be obeyed:

- Wear safety glasses, safety gloves and safety shoes.
- Remove motor fuses, clamp motor starters of I.C. engines etc., to ensure no accidental premature start up.
- Use suitable, good quality tools.

In addition, the following applies to all chain drive installations:

- Take care when unrolling the chain, not to twist it.
- Chain must be properly handled to protect the chain itself or some of its components from damage.
- Transverse forces during assembly must be controlled by guides to avoid deforming the chain.
- Place the connecting link on the slack strand and take notice to fit it the right way.
- Do not fit new links into a worn chain or a new chain onto worn sprockets.
- When a link is damaged, replace it completely, and not just the damaged part. Change any link which may have been accidentally heated by a blow lamp or torch near the chain.

## PRACTICAL ADVICE

### 3 – OPERATION

Before starting-up, check:

- the connecting link assembly, the fitting of spring clips with the closed end pointing in the direction of chain travel, that nuts are properly tightened and that there are no tight joints.
- the absence of nuts, tools and spanners on the chain or trapped in the installation.

Upon starting-up:

- start off slowly and gradually, keeping a close watch during the first revolution or first cycle of the process,
- run the drive under a light load or none at all for a while,
- check the complete drive after a few hours or days of use,
- check that the forces on the chain are like those in the calculation used for the chain selection,
- The state and position of the lubricant nozzles should be checked. The color and degree of lubricant contamination enables the efficiency of the lubricant to be measured, and also whether it is sufficient and when it should be renewed. If this is the case, apply once again or empty the installation using a lubricant of the same quality or superior quality. First it is necessary to get rid of the lubricant and clean the chain in order to get rid of deposits of dirty oil which could prevent the lubricant from penetrating the contacting surfaces (between the plates).

## MAINTENANCE

In a well assembled construction that is correctly lubricated, maintenance is restricted to ensuring that the whole assembly and lubrication methods remain satisfactory.

Periodic check:

- The installation geometry, and particularly the sprocket alignment and tooth wear,
- The state of the chain, particularly to detect traces of rubbing indicating a geometrical failure or accidental structural contact and to assess the amount of wear:
  - wear of the chain articulations is measured directly by its length (using a measuring instrument or a control ruler), either by appreciation or measurement of its slack or moving the tensioning device,
  - wear of the linkplates of leaf chains,
  - wear of the rollers and wheels.
- If necessary, find out the cause of wear and rectify it. If it is necessary to change a sprocket or a chain due to excessive wear (more than 2% for the length of a chain, or more than 5% for the height of the plate), then it is better to change both the chain and sprocket or rollers at the same time.



#### Warning !

**Given the high resistance of its components, the chain is susceptible to being weakened by hydrogen. Oxidising and corrosive environments must therefore be avoided.**

**An acidic environment is also to be avoided at all costs. The most stringent precautions should be taken when removing grease from the chain.**

**All superficial treatments to the chain, and in particular electrolytic treatments, are to be avoided.**

**For these types of environments, consult us for an eventual solution.**

## CHAIN LENGTH ADJUSTMENT - SHORTENING

If the installation does not involve adjusting the shaft center of the slack section, chain adjustment should be carried out either at the beginning, or after normal wear has occurred. Leaf chains and conveyor chains do not contain offset link.

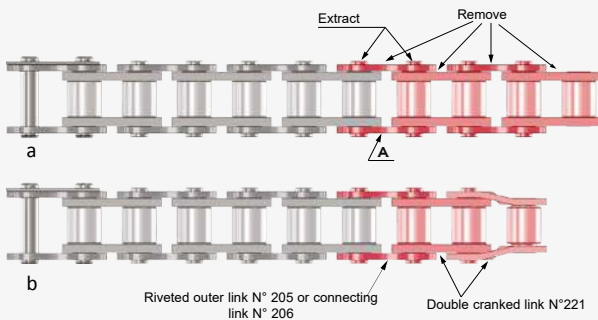
Read directly «chains with an even number of pitches».

### Chains with an even number of pitches

#### SHORTENING BY ONE PITCH

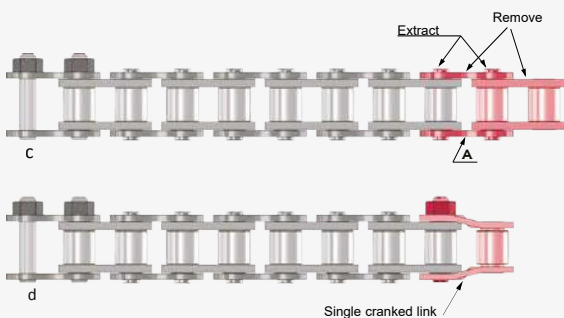
##### ○ Chain up to and including 25,4 mm pitch.

first remove four pitches of chain from one end, that is two inners and two outers by extracting outer link A (Fig.a). Then fit a double offset link N°221, a spring clip connecting link N° 206 or a riveting outer link N°205 (Fig.b).



##### ○ Chain with a pitch of 31,75 mm or above.

first remove two pitches of chain from one end, that is one inner and one outer link by extracting the outer link A (Fig.c). Then fit a single offset link (Fig.d).



#### SHORTENING BY TWO PITCHES

Remove two pitches from one end, that is an inner and outer link by extracting the outer link A.



### Chains with an odd number of pitches

#### SHORTENING BY ONE PITCH

##### ○ Chain of pitch up to and including 25,4mm:

The chain ends with an offset link. Remove the cranked link.



##### ○ Chain with pitch of 31,75mm or above:

The chain ends with a single offset link which also serves as a connecting link. Extract the the outer link A and replace it with a connecting link N° 209 to reassemble the chain.



#### SHORTENING BY TWO PITCHES

##### ○ For all chains.

Extract one inner link removing the outer link at the opposite end of the offset link.

**NOTE:** Leaf chains and conveyor chains don't have any crank links, as a consequence they are only concerned by the shortening of 2 pitches.



## SEDIS RANGES



### DELTA® HR

FOR SEVERE WORKING CONDITIONS  
(ABRASION, SHOCKS, JERKS)

BS & ASA chains with high resistance to abrasion and wear:

#### TECHNICAL SPECIFICATIONS:

- DELTA® articulations
- Shot peened plates
- Preformed bi-conic bushes
- Solid rollers
- Chains pre-tensioned at 30-45% of the breaking load
- New generation pre-lubrication with technical wax from 12.7mm to 25.4mm pitch (08B to 16B)
- Other chains are pre-lubricated with initial plant lubrication



#### SERVICES:

- **Technical assistance** (analysis of the customer's specifications, definition and recommendation)
- **Adaptations** (attachments, extended pins...) and development of **specific products** on request
- **Matched pairs** on request for chains working in parallel
- Cut and manufacture of **chains of any length**
- Many references **available in stock**

### DELTA® TITANIUM 2

RESISTANCE IN CORROSIVE ENVIRONMENTS

BS & ASA chains with high resistance to abrasion, wear and corrosion:

#### TECHNICAL SPECIFICATIONS:

- DELTA® Articulations
- Shot peened plates and coated with a GEOMET® treatment
- Solid rollers coated with a GEOMET® treatment
- Chains pre-tensioned at 30-45% of the breaking load
- New generation pre-lubrication with technical wax from 12.7mm to 25.4mm pitch (08B to 16B)
- Other chains are pre-lubricated with initial plant lubrication



#### SERVICES:

- **Technical assistance** (analysis of the customer's specifications, definition and recommendation)
- **Adaptations** (attachments, extended pins...) and development of **specific products** on request
- **Matched pairs** on request for chains working in parallel
- Cut and manufacture of **chains of any length**
- Many references **available in stock**

### CHAINES VERTES

(«Green» chains) A MAINTENANCE-FREE RANGE

#### TECHNICAL SPECIFICATIONS:

##### LUB FREE VERTE chains:

Anticorrosion BS chains from 12.7mm to 25.4mm pitch with sintered bushes:

- Pins with hard surface treatment
- Nickel plated plates and solid rollers
- Sintered bushes

##### DELTA® VERTE® chains:

BS anticorrosion chains from 31.75mm to 25.4mm pitch with composite bushes:

- DELTA® Articulations
- Shot peened and GEOMET® treated plates
- GEOMET® treated solid steel rollers (or in composite on demand)
- Composite bushes admitting functioning in water or humid environments
- Temperature of use between -30 et +80°C (up to 250°C please consult us)



#### SERVICES:

- **Technical assistance** (analysis of the customer's specifications, definition and recommendation)
- **Adaptations** (attachments, extended pins...) and development of **specific products** on request
- **Matched pairs** on request for chains working in parallel
- Cut and manufacture of **chains of any length**
- Many references **available in stock**



**ALPHA Premium**  
A HIGH QUALITY CHAIN WITH PROVEN RESULTS

High Quality BS and ASA chains :

**TECHNICAL SPECIFICATIONS:**

- Case hardened articulations
- Shot peened plates
- BS chains: Preformed bi-conic bushes  
ASA chains : Solid bushes
- Solid rollers
- Chains pre-tensioned at 30-45% of the breaking load
- New generation pre-lubrication with technical wax from 12.7mm to 25.4mm pitch (08B to 16B)
- Other chains are pre-lubricated with initial plant lubrication



**SERVICES:**

- **Technical assistance** (analysis of the customer's specifications, definition and recommendation)
- **Adaptations** (attachments, extended pins...) and development of **specific products** on request
- **Matched pairs** on request for chains working in parallel
- Cut and manufacture of **chains of any length**
- Many references **available in stock**

**ALPHA Premium STAINLESS STEEL**

AN IMPROVED RANGE FOR BETTER WEAR RESISTANCE AND HIGHER BREAKING LOADS !

These chains are designed to work in a food application, or in aggressive chemical environments, :

**TECHNICAL SPECIFICATIONS:**

**From 08B to 16B :**

- Pins and plates in stainless steel series 300
- Solid bushes in stainless steel series 300
- Extruded rollers in stainless steel series 300
- Chains pre-lubricated with H1 food lube or other lubrication on request

**Other chains of the range :**

- Articulations and plates in Stainless steel series 300
- Solid rollers in stainless steel series 300
- Chains without initial lubrication or lubrication on request



**SERVICES:**

- **Technical assistance** (analysis of the customer's specifications, definition and recommendation)
- **Adaptations** (attachments, extended pins...) and development of **specific products** on request
- **Matched pairs** on request for chains working in parallel
- Cut and manufacture of **chains of any length**
- Many references **available in stock**



**RECORD®**  
SEDIS EXPERTISE FOR YOUR STANDARD APPLICATIONS

Chaînes BS & ASA :

**TECHNICAL SPECIFICATIONS:**

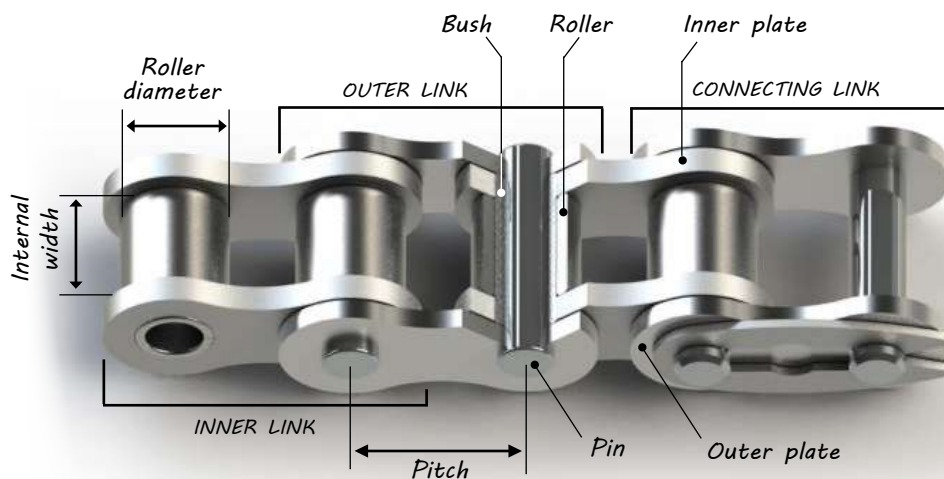
- Shot peened plates
- Solid cold extruded roller
- Chains pre-tensioned at 30% of the breaking load
- Chains pre-lubricated with initial plant lubrication



**SERVICES:**

- Chains cut **in any length**
- Many references **available in stock**

## CONSTITUENT PARTS OF POWER TRANSMISSION ROLLER CHAIN



## MANUFACTURING

**SEDIS** chains, both standard and non-standard, are made of:

- **High quality steels:** dimensions and adapted chemical composition for the different chain parts
- **The most efficient manufacturing processes:**
  - Special technique for the production of bushes improving the chain wear resistance (**SEDIS** know-how)
  - Plates produced by multi-stage processing tools ensuring a regular pitch (**SEDIS** technology)
- **Adequate mechanical and heat treatments of chain parts:**
  - Shot peening
  - Surface finishing
  - Case hardening, carbonitriding, quenching, tempering ...
  - DELTA® treatment
  - Freezing treatment
  - Corrosion protection coatings (GEOMET, zinc, nickel plating, ...)

## QUALITY



**SEDIS is certified ISO 9001 by the French Association for Quality Assurance (AFAQ) since 1989:**

- First chain manufacturer in the world to be certified ISO 9001
- Eleventh French company to be certified ISO 9001

**ISO 9001** version 2008

**A sign of confidence for our customers**

The **Sedis** chains are constructed with special specifications in order to fit with a wide range of industrial applications. They are designed in order to:

- 1- Resist to **WEAR** (Elongation)
- 2- Resistance to **FATIGUE** (progressive plate breaking) and to **TRACTION** (brutal load breaking of plates or bearing pins)
- 3- Resist to **CORROSION**
- 4- Use **WITHOUT LUBRICATION**

SEDIS uses the most efficient manufacturing processes, special steels and appropriate mechanical treatments, heat treatments and thermochemical treatments to be able to offer its clients products which are perfectly adapted to a wide range of industrial applications.

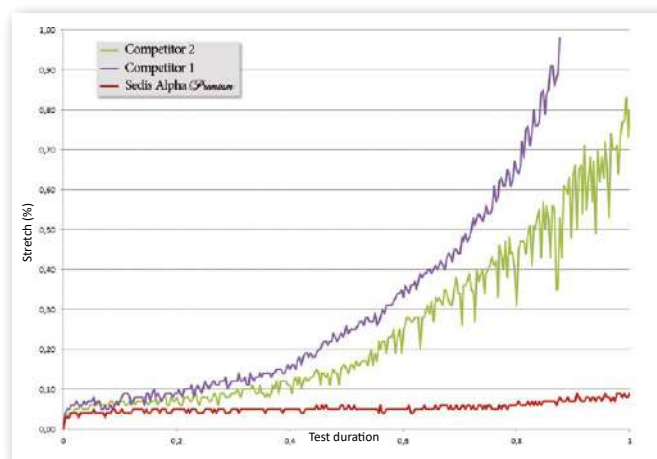
### WEAR (ELONGATION)

#### A new generation wax for our Alpha *Premium* and DELTA® range

SEDIS has selected for their Delta® and Alpha *Premium* core range (from 12.7mm to 25.4mm pitch) a new **high performance wax** offering an **enhanced anti-wear protection**, and which can work at a temperature from -30°C to 130°C.

This wax which has a thick viscosity not in use, liquefy in operation to be perfectly spread in the articulations (thixotropic specification of wax). It then **limits frictions and allows much longer lubrication intervals compared to a standard lubrication** (less losses of lubricant by ejection). It also allows the SEDIS chains to have a much higher wear resistance than competitors' chains).

During maintenance, our wax is compatible with usual chain lubricants.

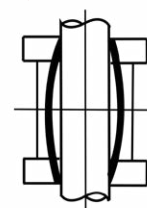


Wear of a SEDIS Alpha *Premium* ASA 50-1 compared to two competitors' chains

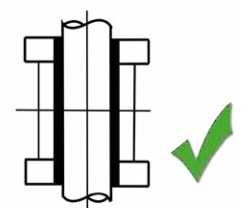
### Preformed bi-conic bushes

We use **preformed bi-conic** bushes on our chains. Contrary to non-preformed bushes which undergo a "barrel" distortion, the working surface of preformed bushes is increased for **a uniform distribution of mechanical loads**, what improves wear resistance (see drawing on the right).

Non-preformed bush



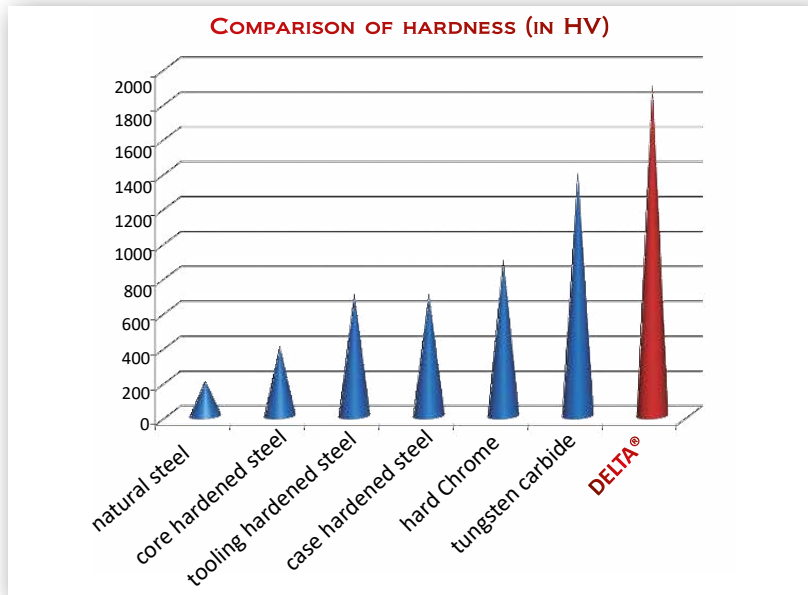
Preformed bush



# SEDIS SPECIFICATION

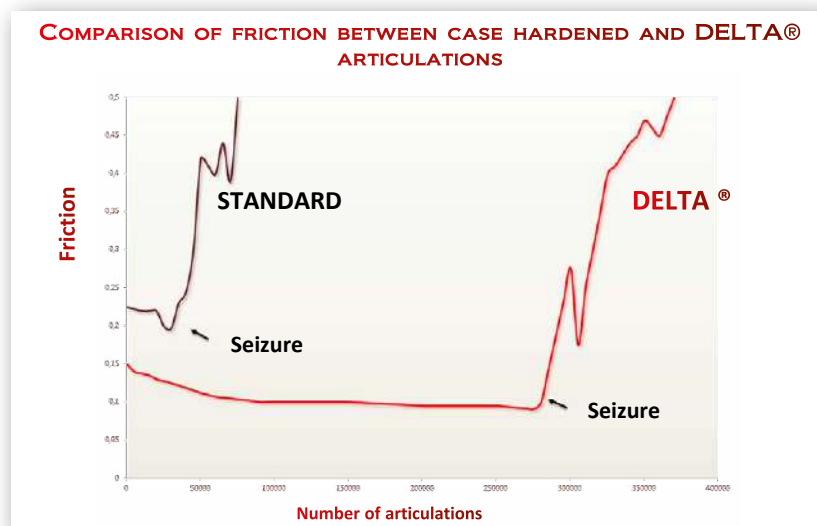
## DELTA® range and DELTA® treatment:

The thermo-chemical treatment invented and realized by SEDIS results in very high resistance against wear and oxidation of the articulation. This resistance is achieved thanks to the surface hardness of the DELTA® treated articulations which is much higher than hardness obtained by usual case hardening (see graph below).



**SEDIS IS THE ONLY MANUFACTURER TO MASTER ANTI-WEAR TREATMENTS ON LARGE DIAMETER PINS**

The friction coefficient of DELTA®HR articulations is lower than the one of standard articulations (case hardening, carbonitriding, ...). The hardness and the particular chemical affinity of DELTA®HR articulations **delay the appearance of seizure** (see figure below).



Thanks to the higher hardness, a low coefficient of friction and a compatible chemical affinity, DELTA® HR have a **longer lifetime compared to standard chains**, especially in severe applications (abrasion, shocks, jerks...) These particular specifications allow DELTA® chains to **transmit superior powers**.



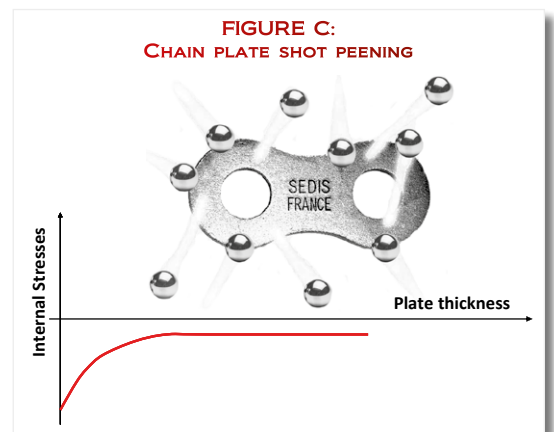
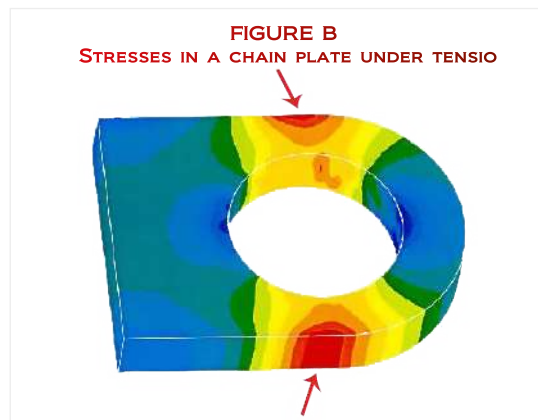
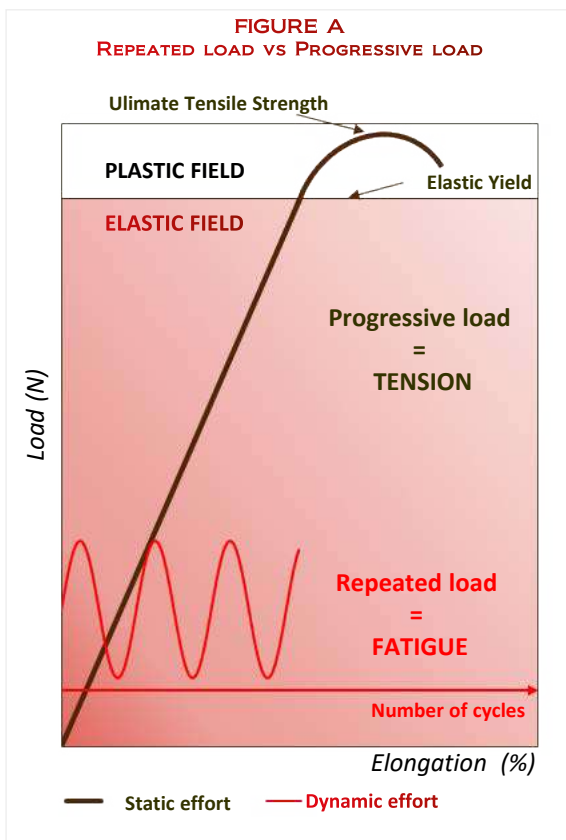
## FATIGUE & TENSILE BREAKING

During normal operating, chains are working in the elastic field (see figure A below). The chain is held in tension in a repeated way under an effort located in an elastic level (red curve in figure A). The consequence of such sollicitation is the creation and propagation of cracks in the area where the maximum stresses are located (red zones in figure D below).

The **SEDIS ALPHA *Premium*** et **DELTA® HR** chains are designed in order to combat fatigue thanks to the use of:

- special steels chosen according to special chemical and mechanical specifications,
- optimised heat treatments to obtain the maximum plate strength as well as the plate ductility to combat fatigue,
- plate Shot Peening to also improve plate fatigue strength. The shot peening allows the creation of compressive stresses in the plates to avoid the creation and propagation of fatigue cracks (see figure C below).

The shot peening is a projection of steel balls on chain plate with controlled intensity and speed. It allows an improvement of an extra 20% fatigue strength of plates.



Thanks to a rigorous selection of material, heat treatments and shoot peening done on our Alpha *Premium* and Delta® chains:

Resistance to traction is on average 20% higher to ISO norms  
Performances in terms of resistance to shocks and fatigue are HIGHER TO THE BEST CHAINS IN THE WORLD

## SEDIS SPECIFICATIONS

### CORROSION

#### The chains ALPHA *Premium* STAINLESS STEEL

Alpha *Premium* Stainless steel chains are manufactured with high quality stainless steels. Stainless steel having quite a poor mechanical resistance compared to carbon steel, the chains wear more quickly and have a rather short lifetime. That's why Sedis has integrated to their range specific treatments which enable to get **stainless steel with increase surface hardness**. The Alpha Premium BS STAINLESS STEEL chain offers therefore **an increased breaking load up to 33%** compared to the previous range, and up to **20% more than the other quality chains** of the market.

Wear resistance has also been improved especially thanks to the integration of **solid bushes** and to an **initial H1 food lubrication**. Tests have demonstrated that it allows to **reduce wear by 2** compared to a top range stainless steel chain.

For more demanding applications, and in particular when an important **resistance to traction is needed**, these chains can be substituted by **DELTA® TITANIUM 2** chains, which benefit from the **DELTA® treatment** against wear, and the **GEOMET® treatment against corrosion**. However, in case of direct contact with food or cleaning products as foams, solvents, oxidants, it is advised to consult us in order to select with you the most adapted product to your application.

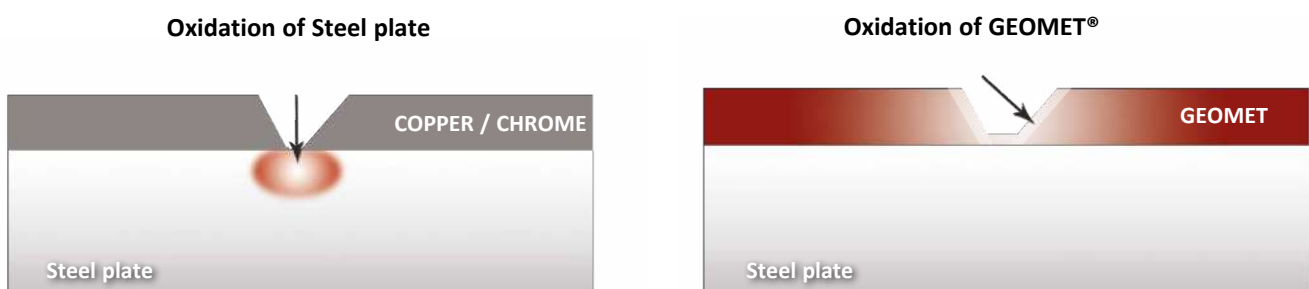
#### DELTA® TITANIUM 2 chains and GEOMET® treatment

The **DELTA® TITANIUM 2** chains are designed on the basis of **DELTA® HR** chains which are characterized by **very high resistance to wear and abrasion**. On top of that, the constitutive metallic components are **protected against corrosion** thanks to a protecting **GEOMET** coating.

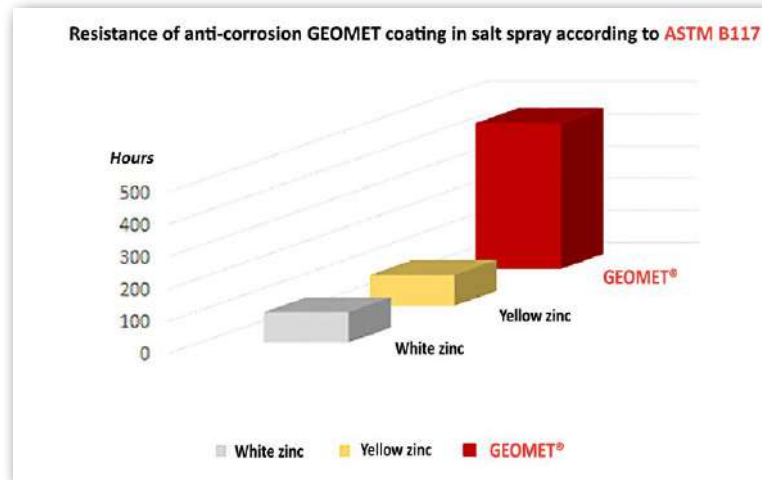
**GEOMET®** is a water-based coating composed of layers of zinc and aluminum, **100% hexavalent chrome free**. It guaranties protection of metallic surfaces by:

- **Barrier effect:** the superposition of slices of zinc and aluminum constitutes an excellent barrier between the steel substrate and the corrosive environment.
- **Sacrificial protection: Zinc oxidizes instead of steel.**

On the below figure, we can compare the cathodic protection of **GEOMET®** with the total protection of coatings like Chrome or Copper or any other material nobler than iron.



In the conditions of test in salt spray, GEOMET® treatment used on DELTA® TITANIUM 2 chains has much longer resistance to corrosion. Indeed red rust only appears after 450 hours compared to 100 hours for bi-chromate zinc plated chains (see figure below).



Thanks to their superior resistance to wear, they guarantee **a much longer lifetime** than a stainless steel chain. **DELTA® TITANIUM 2** chains should be preferably used in neutral ambience (pH between 5 and 9). The temperature range of use is between -30 and 130°. We have solutions for different temperatures, don't hesitate in consulting us for further information.

### THE ADVANTAGES OF THE TREATMENT

*Maximum protection in thin layer  
Control of the coefficient of friction  
Absence of Hydrogen embrittlement*



**NOTE:** *In order to ensure optimum protection against corrosion of DELTA® TITANIUM 2 chains it is strictly forbidden:*

- DELTA® TITANIUM chains are not compatible with **stainless steel sprockets**. They can be used with in carbon steel, zinc-plated, bi-chromate zinc-plated sprockets or sprockets with **GEOMET®** protection (consult us).
- DELTA® TITANIUM chains are not compatible with any attachments or **other additional elements made from stainless steel or containing copper** (bronze, brass).
- DELTA® TITANIUM chains are not compatible with chain **guides made from stainless steel, brass or other materials containing Copper**.

## SEDIS SPECIFICATIONS

### LUBRICATION FREE

In a number of applications where lubrication of the chain is difficult or even impossible, SEDIS brings the solution with their lubrication-free **VERTE® chains**. A standard chain will have a limited lifetime if it is not properly lubricated. The solution is therefore **lubrication-free chains**, which works without any oil added externally.

They allow:

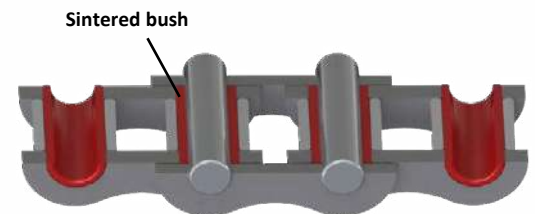
- **To avoid lubrication maintenance** when it is difficult or impossible for different reasons (shapes, inaccessibility...),
- **To avoid risk of oil projection** which can damage the transported items,
- **To operate in humid environments** (especially for DELTA VERTE® chains)
- **To limit the risk of fire** if oil can be in contact with flame or products at high temperature (like escalators),
- **To diminish the risk of pollution** by lubrication,
- **To reduce the maintenance global costs** (economy of the maintenance system)

#### LUBE FREE VERTE CHAIN:

The principle of lubrication free is based on the use of **sintered bush** which is impregnated with oil, allowing the dispensing of oil during the functioning of the chain. The pins undergo a hard surface treatment, the rollers are solid and the components are nickel-plated against corrosion.

The chain is used in the following conditions:

- 1- Temperature of use: between -5° and 80°C
- 2- Non abrasive environment



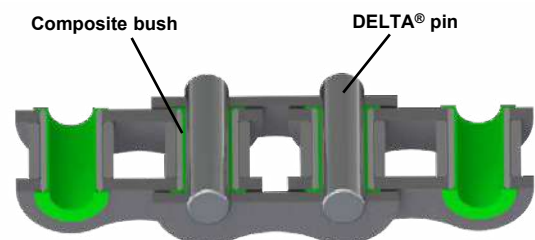
LUB FREE VERTE Chain

#### DELTA® VERTE CHAINS (GREEN CHAIN):

The principle of non lubrication is based on the use of **composite bush** inserted between bearing pin and steel bush. The composite bush is made of self lubricant solid material which allows the chain to operate without oil. The bearing pin is **DELTA®** and the other metallic parts (plates, steel bush and roller) are protected against corrosion using the **GEOMET** coating.

The chain is used in the following conditions:

- 1- Temperature of use: between -5° and 80°C  
(consult us for temperatures above 80°C as composite is specific and admissible pressures are different)
- 2- Functioning in a humid environment or in presence of water
- 3- Non abrasive environment
- 4- In the case where the **DELTA®VERTE** chain is used in conveying (loaded rollers), consult us for the use of composite rollers in place of steel rollers



DELTA® VERTE chain

#### NOTE: for an optimum protection against corrosion of DELTA VERTE® chains:



○ **DELTA® TITANIUM** chains are not compatible with **stainless steel** sprockets. They can be used with carbon steel, zinc-plated, bi-chromate zinc-plated sprockets or sprockets with **GEOMET®** protection (consult us). **Use preferably heat treated teeth**. Do not forget to lubricate the sprockets in use to avoid rapid wear. In some cases, it is possible to use sprockets or screwed teeth made of plastic material when the sprocket lubrication is forbidden. Consult us.

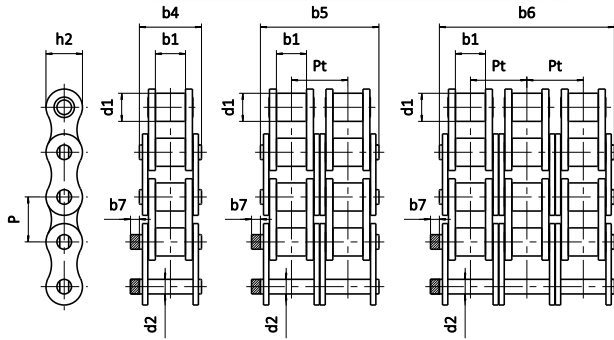
○ **DELTA® TITANIUM** chains are not compatible with any attachments or other additional elements made from **stainless steel or containing copper** (bronze, brass).

○ **DELTA® TITANIUM** chains are not compatible with **chain guides made from stainless steel, brass or other materials containing Copper**.

# ROLLER CHAINS



# BS CHAINS - EUROPEAN SERIES - DELTA® RANGE



## GENERAL CHARACTERISTICS

These chains designed for use in high power transmission systems comply with international standards: ISO 606.

These chains correspond to the following national standards:  
 - British Standard BS 228  
 - German Standard DIN8187

In these conditions, our chains are interchangeable with all other chains produced to the quoted standards.



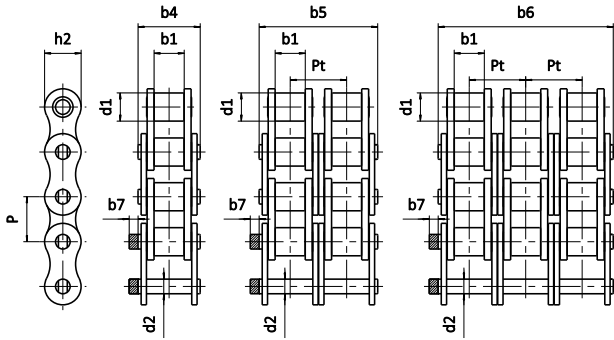
References			SEDIS DELTA® RANGE				General dimensions (mm)							Ultimate Tensile Strength						Mass per meter kg	
ISO 606	SEDIS	Pitch P	DELTA® HR	DELTA TITANIUM 2	VERTE	d1	b1	b4 b5 b6	d2	h2	Pt	b7	ISO 606	DELTA® HR			DELTA TITANIUM 2		LUB FREE VERTE		DELTA® VERTE
														min. kN	min. kN	nom. kN	min. kN	min. kN	min. kN		
06B-1	3ND	9,525	x	x		6,35	5,77	12,50	3,28	8,20	.	2,1	8,9	9,0	10,3	9,0	.	.	.	0,40	
08B-1	7ND	12,7	x	x	(1)	8,51	7,75	16,60	4,45	11,80	.	1,5	17,8	18,2	20,4	18,2	18,2	16,6	0,68		
10B-1	11ND	15,875	x	x	(1)	10,16	9,65	19,00	5,08	13,70	.	1,5	22,2	23,0	27,1	23,0	23,0	18,6	0,86		
12B-1	13ND	19,05	x	x	(1)	12,07	11,68	22,30	5,72	16,20	.	1,5	28,9	30,5	34,8	30,5	30,5	30,5	1,18		
16B-1	15TD	25,4	x	x	(1)	15,88	17,02	35,10	8,28	20,80	.	3,0	60,0	75,0	87,0	75,0	66,0	66,0	2,66		
20B-1	17TD	31,75	x	x	(2)*	19,05	19,56	40,50	10,19	25,40	.	6,1	95,0	110,0	119,0	110,0	.	99,0	3,72		
24B-1	18TD	38,1	x	x	(2)*	25,40	25,40	53,10	14,63	32,30	.	6,6	160,0	180,0	198,0	180,0	.	160,0	7,05		
28B-1	20TD	44,45	x	x	(2)*	27,94	30,95	65,10	15,90	37,00	.	7,4	200,0	235,0	251,5	235,0	.	180,0	8,96		
32B-1	22TD	50,8	x	x	(2)	29,21	30,99	63,60	17,81	42,30	.	7,9	250,0	300,0	321,0	300,0	.	250,0	10,00		
40B-1	23TD	63,5	x	x	(2)	39,37	38,10	79,00	22,89	52,80	.	12,0	355,0	365,0	383,3	365,0	.	365,0	16,20		
48B-1	24TD	76,2	x	x		48,26	47,70	98,60	29,22	64,20	.	23,7	560,0	600,0	630,0	600,0	.	.	24,93		
06B-2	203ND	9,525	x	x		6,35	5,77	23,10	3,28	8,20	10,24	2,1	16,9	17,6	21,1	17,6	.	.	0,74		
08B-2	207ND	12,7	x	x	(1)	8,51	7,75	30,60	4,45	11,80	13,92	1,5	31,1	36,4	40,8	36,4	36,4	33,2	1,33		
10B-2	211ND	15,875	x	x	(1)	10,16	9,65	35,75	5,08	13,70	16,59	1,5	44,5	46,0	54,3	46,0	46,0	46,0	1,70		
12B-2	213ND	19,05	x	x	(1)	12,07	11,68	41,80	5,72	16,20	19,46	1,5	57,8	61,0	69,5	61,0	61,0	61,0	2,35		
16B-2	215TD	25,4	x	x	(1)	15,88	17,02	68,00	8,28	20,80	31,88	3,0	106,0	150,0	174,0	150,0	132,0	132,0	5,28		
20B-2	217TD	31,75	x	x	(2)*	19,05	19,56	77,00	10,19	25,40	36,45	6,1	170,0	220,0	239,8	220,0	.	198,0	7,36		
24B-2	218TD	38,1	x	x	(2)*	25,40	25,40	101,80	14,63	32,30	48,36	6,6	280,0	360,0	396,0	360,0	.	320,0	13,85		
28B-2	220TD	44,45	x	x	(2)*	27,94	30,95	124,70	15,90	37,00	59,56	7,4	360,0	470,0	502,9	470,0	.	360,0	18,80		
32B-2	222TD	50,8	x	x	(2)	29,21	30,99	122,80	17,81	42,30	58,55	7,9	450,0	600,0	642,0	600,0	.	500,0	19,90		
40B-2	223TD	63,5	x	x	(2)	39,37	38,10	152,00	22,89	52,80	72,29	12,0	630,0	730,0	766,5	730,0	.	730,0	32,08		
48B-2	224TD	76,2	x	x		48,26	47,70	190,40	29,22	64,20	91,21	23,7	1 000,0	1 200,0	1 260,0	1 200,0	.	.	49,50		
06B-3	303ND	9,525	x	x		6,35	5,77	33,00	3,28	8,20	10,24	2,1	24,9	26,4	31,6	26,4	.	.	1,10		
08B-3	307ND	12,7	x	x	(1)	8,51	7,75	44,60	4,45	11,80	13,92	1,5	44,5	54,6	61,2	54,6	54,6	49,8	1,96		
10B-3	311ND	15,875	x	x	(1)	10,16	9,65	52,30	5,08	13,70	16,59	1,5	66,7	69,0	81,4	69,0	69,0	55,8	2,51		
12B-3	313ND	19,05	x	x	(1)	12,07	11,68	61,40	5,72	16,20	19,46	1,5	86,7	91,5	104,3	91,5	91,5	78,6	3,48		
16B-3	315TD	25,4	x	x	(1)	15,88	17,02	99,90	8,28	20,80	31,88	3,0	160,0	225,0	261,0	225,0	198,0	198,0	7,86		
20B-3	317TD	31,75	x	x	(2)*	19,05	19,56	113,50	10,19	25,40	36,45	6,1	250,0	330,0	359,7	330,0	.	297,0	11,00		
24B-3	318TD	38,1	x	x	(2)*	25,40	25,40	150,20	14,63	32,30	48,36	6,6	425,0	540,0	594,0	540,0	.	480,0	20,31		
28B-3	320TD	44,45	x	x	(2)*	27,94	30,95	184,60	15,90	37,00	59,56	7,4	530,0	705,0	754,4	705,0	.	540,0	28,00		
32B-3	322TD	50,8	x	x	(2)	29,21	30,99	181,70	17,81	42,30	58,55	7,9	670,0	900,0	963,0	900,0	.	750,0	29,60		
40B-3	323TD	63,5	x	x	(2)	39,37	38,10	224,60	22,89	52,80	72,29	12,0	950,0	1 095,0	1 149,8	1 095,0	.	1 095,0	47,96		
48B-3	324TD	76,2	x	x		48,26	47,70	281,60	29,22	64,20	91,21	23,7	1 500,0	1 800,0	1 890,0	1 800,0	.	.	80,20		
<b>Special Sedis Chains</b>																					
-	2ND	9,525	x			6,35	4	10,48	3,28	8,18	.	2,1	.	9	10,3	.	.	.	0,35		
-	6ND	12,7	x	x		8,51	5,35	14,10	4,45	11,80	.	1,5	.	18,2	22,8	18,2	.	.	0,35		

(1): References in Lube Free Verte version. In DELTA® VERTE, consult us  
 (2): References available in DELTA® VERTE only  
 \* The pin diameter and the working surface are different. Consult us for more details  
 For Verte chains, the use of sprockets with treated teeth is recommended.

**Connecting links:** Also available for some duplex and triplex chains

<b>N° 200</b>	<b>N° 205</b>	<b>N° 206</b>	<b>N° 208</b>	<b>N° 209</b>	<b>N° 216</b>	<b>N° 217</b>	<b>N° 221</b>
Inner link	External link to be riveted	Connecting link with spring clip	Cottered connecting link	Connecting link with self locking nuts	Single cranked cottered link	Single cranked link with self locking nuts	Double cranked link
Available for all chains		Available for pitches from: 9,525 to 31,75 mm	Available for pitches from: 25,4 to 76,2 mm	Available for pitches from: 31,75 to 63,5 mm	Available for pitches from: 25,4 to 63,5 mm	Available for pitches from: 31,75 to 63,5 mm	Available for pitches from: 9,525 to 25,4 mm

BS CHAINS - EUROPEAN SERIES - ALPHA Premium RANGE



GENERAL CHARACTERISTICS

These chains designed for use in high power transmission systems comply with international standards: ISO 606 (short pitch chains) and ISO 1275 (long pitch chains).

These chains correspond to the following national standards:  
 - British Standard BS 228 (short pitch chains)  
 - German Standard DIN8187 (short pitch chains) and DIN8181 (long pitch chains)

In these conditions, our chains are interchangeable with all other chains produced to the quoted standards.

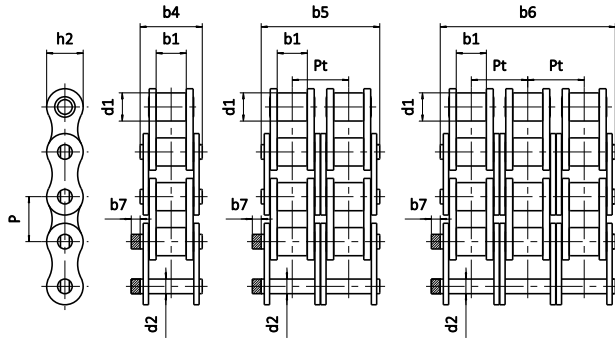


References			ALPHA Premium			General dimensions (mm)							Ultimate Tensile Strength (kN)				
	ISO 606	SEDIS	Pitch P	ALPHA Premium	ALPHA Premium INOX	d1	b1	b4 b5 b6	d2	h2	Pt	b7	ISO 606	ALPHA Premium	ALPHA Premium INOX	Mass per meter	
																	min.
SIMPLEX	06B-1	3N	9,525	x	x	6,35	5,77	13,50	3,27	8,23	.	2,1	8,9	9,0	10,3	6,3	0,40
	08B-1	7N	12,7	x	x	8,51	7,75	16,60	4,45	11,80	.	1,5	17,8	18,2	20,4	14,0	0,68
	10B-1	11N	15,875	x	x	10,16	9,65	19,00	5,08	13,70	.	1,5	22,2	23,0	27,2	17,6	0,86
	12B-1	13N	19,05	x	x	12,07	11,68	22,30	5,72	16,20	.	1,5	28,9	30,5	34,8	21,0	1,18
	16B-1	15T	25,4	x	x	15,88	17,02	35,10	8,28	20,80	.	3,0	60,0	66,0	76,3	43,0	2,66
	20B-1	17T	31,75	x	x	19,05	19,56	40,50	10,19	25,40	.	6,1	95,0	105,0	114,0	46,0	3,72
	24B-1	18T	38,1	x	x	25,40	25,40	53,10	14,63	32,30	.	6,6	160,0	180,0	198,0	81,0	7,05
	28B-1	20T	44,45	x	x	27,94	30,95	65,10	15,90	37,00	.	7,4	200,0	235,0	252,0	.	8,96
	32B-1	22T	50,8	x	x	29,21	30,99	63,60	17,81	42,30	.	7,9	250,0	270,0	288,0	.	10,00
DUPLEX	06B-2	203N	9,525	x	x	6,35	5,77	23,80	3,27	8,23	10,24	2,1	16,9	16,9	20,6	9,8	0,74
	08B-2	207N	12,7	x	x	8,51	7,75	30,60	4,45	11,80	13,92	1,5	31,1	36,4	40,8	28,0	1,33
	10B-2	211N	15,875	x	x	10,16	9,65	35,75	5,08	13,70	16,59	1,5	44,5	46,0	54,4	35,2	1,70
	12B-2	213N	19,05	x	x	12,07	11,68	41,80	5,72	16,20	19,46	1,5	57,8	61,0	69,6	42,0	2,35
	16B-2	215T	25,4	x	x	15,88	17,02	68,00	8,28	20,80	31,88	3,0	106,0	132,0	152,6	86,0	5,28
	20B-2	217T	31,75	x	x	19,05	19,56	77,00	10,19	25,40	36,45	6,1	170,0	210,0	228,0	92,0	7,36
	24B-2	218T	38,1	x	x	25,40	25,40	101,80	14,63	32,30	48,36	6,6	280,0	360,0	396,0	162,0	13,85
	28B-2	220T	44,45	x	x	27,94	30,95	124,70	15,90	37,00	59,56	7,4	360,0	470,0	504,0	.	18,80
	32B-2	222T	50,8	x	x	29,21	30,99	122,80	17,81	42,30	58,55	7,9	450,0	540,0	576,0	.	19,90
TRIPLEX	06B-3	303N	9,525	x	x	6,35	5,77	34,00	3,27	8,23	10,24	2,1	24,9	24,9	30,9	.	1,10
	08B-3	307N	12,7	x	x	8,51	7,75	44,60	4,45	11,80	13,92	1,5	44,5	54,6	61,2	42,0	1,96
	10B-3	311N	15,875	x	x	10,16	9,65	52,30	5,08	13,70	16,59	1,5	66,7	69,0	81,6	52,8	2,51
	12B-3	313N	19,05	x	x	12,07	11,68	61,40	5,72	16,20	19,46	1,5	86,7	91,5	104,4	63,0	3,48
	16B-3	315T	25,4	x	x	15,88	17,02	99,90	8,28	20,80	31,88	3,0	160,0	198,0	228,9	129,0	7,86
	20B-3	317T	31,75	x	x	19,05	19,56	113,50	10,19	25,40	36,45	6,1	250,0	315,0	342,0	138,0	11,00
	24B-3	318T	38,1	x	x	25,40	25,40	150,20	14,63	32,30	48,36	6,6	425,0	540,0	594,0	243,0	20,31
	28B-3	320T	44,45	x	x	27,94	30,95	184,60	15,90	37,00	59,56	7,4	530,0	705,0	756,0	.	28,00
	32B-3	322T	50,8	x	x	29,21	30,99	181,70	17,81	42,30	58,55	7,9	670,0	810,0	864,0	.	29,60
<b>Special SEDIS chains</b>																	
SIMPLEX	-	5T	12,7	x	.	7,75	5,00	11,80	3,96	10,10	.	1,5	.	11,6	12,9	.	0,44
	-	6N	12,7	x	.	8,51	5,35	14,10	4,45	11,80	.	1,5	.	18,2	20,4	.	0,59
	-	10N	15,875	x	.	10,16	6,50	16,40	5,08	13,70	.	1,5	.	23,0	27,2	.	0,75
	-	12N	19,05	x	.	12,07	8,00	18,45	5,72	16,30	.	1,5	.	30,5	34,8	.	1,05
<b>Double pitch chains (ISO 1275)</b>																	
208B	2007N	25,4	x	.	8,51	7,75	16,60	4,45	11,50	.	1,5	17,8	17,8	19,8	.	0,43	

Connecting links: Also available for some duplex and triplex chains

<b>N° 200</b>	<b>N° 205</b>	<b>N° 206</b>	<b>N° 208</b>	<b>N° 209</b>	<b>N° 216</b>	<b>N° 217</b>	<b>N° 221</b>
Inner link	External link to be riveted	Connecting link with spring clip	Cottered connecting link	Connecting link with self locking nuts	Single cranked cottered link	Single cranked link with self locking nuts	Double cranked link
Available for all chains		Available for pitches from: 9,525 to 31,75 mm	Available for pitches from: 25,4 to 63,5 mm	Available for pitches from: 31,75 to 76,2 mm	Available for pitches from: 9,525 to 63,5 mm	Available for pitches from: 31,75 to 63,5 mm	Available for pitches from: 9,525 to 25,4 mm

BS CHAINS - EUROPEAN SERIES - RECORD® RANGE



GENERAL CHARACTERISTICS

These chains designed for use in high power transmission systems comply with international standards: ISO 606.

These chains correspond to the following national standards:  
 - British Standard BS 228  
 - German Standard DIN8187

In these conditions, our chains are interchangeable with all other chains produced to the quoted standards.



	Reference		Pitch	RECORD® RANGE			General dimensions (mm)							Ultimate Tensile Strength (kN)		Mass per meter (Kg/m)		
	ISO 606	SEDIS	P	Record®	Record® Nickel	Record® INOX	d1	b1	b4 b5 b6	d2	h2	Pt	b7	Record® & Record® nickel	Record® INOX	Record®	Record® Nickel	Record® stainless steel
SIMPLEX	-	CA1N04B000	6	x			4,00	2,80	7,90	1,85	5,00	-	1,1	3,20	-	0,11	-	-
	05B-1	CA1N05B000	8	x	x		5,00	3,00	11,70	2,31	7,10	-	3,5	5,90	-	0,20	0,18	-
	06B-1	CA1N06B000	9,525	x	x	x	6,35	5,72	16,80	3,28	8,20	-	3,3	10,40	6,65	0,41	0,58	0,44
	083	CA1N083000	12,70	x			7,75	4,90	14,10	4,09	10,10	-	1,5	13,50	-	0,49	-	-
	08B-1	CA1N08B000	12,70	x	x	x	8,51	7,75	20,90	4,46	11,80	-	3,9	18,00	12,00	0,68	0,68	0,70
	10B-1	CA1N10B000	15,875	x	x	x	10,16	9,65	23,70	5,08	14,70	-	4,1	22,40	15,00	0,91	0,84	0,92
	12B-1	CA1N12B000	19,05	x	x	x	12,07	11,68	27,30	5,72	16,10	-	4,6	29,00	17,00	1,12	1,14	1,12
	16B-1	CA1N16B000	25,40	x	x	x	15,88	17,02	41,50	8,27	21,00	-	5,4	60,00	40,00	2,64	2,72	2,59
	20B-1	CA1N20B000	31,75	x			19,05	19,56	49,30	10,19	26,40	-	6,1	95,00	-	3,68	-	-
	24B-1	CA1N24B000	38,10	x			25,40	25,40	59,70	14,63	33,40	-	6,6	160,00	-	7,05	-	-
	28B-1	CA1N28B000	44,45	x			27,94	30,99	72,50	15,90	37,00	-	7,4	200,00	-	8,96	-	-
	32B-1	CA1N32B000	50,80	x			29,21	30,99	71,50	17,81	42,20	-	7,9	250,00	-	10,00	-	-
	40B-1	CA1N40B000	63,50	x			39,37	38,10	91,00	22,89	52,90	-	12,0	355,00	-	16,20	-	-
48B-1	CA1N48B000	76,20	x			48,26	47,70	110,60	29,22	63,80	-	12,0	560,00	-	24,93	-	-	
DUPLEX	05B-2	CA2N05B000	8	x			5,00	3,00	17,40	2,31	7,11	5,64	3,1	7,95	-	0,38	-	-
	06B-2	CA2N06B000	9,525	x	x	x	6,35	5,72	27,10	3,28	8,20	10,24	3,3	18,70	10,50	0,77	0,68	0,74
	08B2	CA2N08B000	12,70	x	x	x	8,51	7,75	34,90	4,46	11,80	13,92	3,9	32,00	22,00	1,35	1,34	1,40
	10B-2	CA2N10B000	15,875	x	x	x	10,16	9,65	40,30	5,08	14,70	16,59	4,1	44,50	28,45	1,79	1,93	3,00
	12B-2	CA2N12B000	19,05	x	x	x	12,07	11,68	46,80	5,72	16,10	19,46	4,6	57,80	37,25	2,22	2,35	2,21
	16B-2	CA2N16B000	25,40	x	x	x	15,88	17,02	73,40	8,27	21,00	31,88	5,4	114,70	74,45	5,13	5,28	5,08
	20B-2	CA2N20B000	31,75	x			19,05	19,56	85,10	10,19	26,40	36,45	6,1	170,00	-	7,72	-	-
	24B-2	CA2N24B000	38,10	x			25,40	25,40	108,40	14,63	33,40	48,36	6,6	280,00	-	13,85	-	-
	28B-2	CA2N28B000	44,45	x			27,94	30,99	132,10	15,90	37,00	59,56	7,4	360,00	-	18,80	-	-
	32B-2	CA2N32B000	50,80	x			29,21	30,99	133,90	17,81	42,20	58,55	7,9	450,00	-	19,80	-	-
TRIPLEX	06B-3	CA3N06B000	9,525	x		x	6,35	5,72	37,30	3,28	8,20	10,24	3,3	30,10	17,85	1,16	-	1,11
	08B-3	CA3N08B000	12,70	x		x	8,51	7,75	48,80	4,46	11,80	13,92	3,9	47,50	35,30	2,03	-	1,31
	10B-3	CA3N10B000	15,875	x		x	10,16	9,65	56,90	5,08	14,70	16,59	4,1	66,70	42,65	2,68	-	1,79
	12B-3	CA3N12B000	19,05	x		x	12,07	11,68	66,30	5,72	16,10	19,46	4,6	86,70	50,05	3,39	-	2,22
	16B-3	CA3N16B000	25,40	x		x	15,88	17,02	105,30	8,27	21,00	31,88	5,4	170,50	117,65	7,80	-	5,03
	20B-3	CA3N20B000	31,75	x			19,05	19,56	122,10	10,19	26,40	36,45	6,1	250,00	-	11,53	-	-
	24B-3	CA3N24B000	38,10	x			25,40	25,40	156,80	14,63	33,40	48,36	6,6	425,00	-	20,31	-	-
	28B-3	CA3N28B000	44,45	x			27,94	30,99	192,00	15,90	37,00	59,56	7,4	530,00	-	28,00	-	-
	32B-3	CA3N32B000	50,80	x			29,21	30,99	192,40	17,81	42,20	58,55	7,9	670,00	-	29,60	-	-
	40B-3	CA3N40B000	63,50	x			39,37	38,10	239,20	22,89	52,90	72,29	12,0	950,00	-	47,96	-	-
48B-3	CA3N48B000	76,20	x			48,26	47,70	292,30	29,22	63,80	91,21	12,0	1 500,00	-	80,20	-	-	

Connecting links: Also available for some duplex and triplex chains





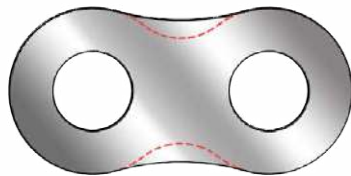
ALPHA *Premium* ASA chains

Our chain Alpha Premium ASA has been entirely designed to be the most advanced one of its generation.

THE MOST  
EFFICIENT CHAIN IN THE  
MARKET IN TERMS OF  
RESISTANCE TO FATIGUE

## UNEQUALLED RESISTANCE TO FATIGUE

Our Research & Development department has developed a **new plate profile** which has been optimized by widening the narrow waist to reduce the constraints on the plate's holes when the chain undergoes repeated loads in operation. This technological advance gives to our new Alpha Premium ASA chain an **unprecedented resistance to fatigue and increased breaking loads** (+ 15% on average compared to standards).



----- Old Alpha range profile

———— New Alpha Premium range profile

**Solid bushes**, made with the most innovative techniques of bush forming, provide a **perfect fitting** in the plates, improving therefore the resistance to fatigue of the chains

The plates are **shoot peened**, what allows the creation of compressive constraints on the surface, in order to fight initiation and spread of fatigue cracks, **improving the resistance to fatigue of the plates by 20%**.

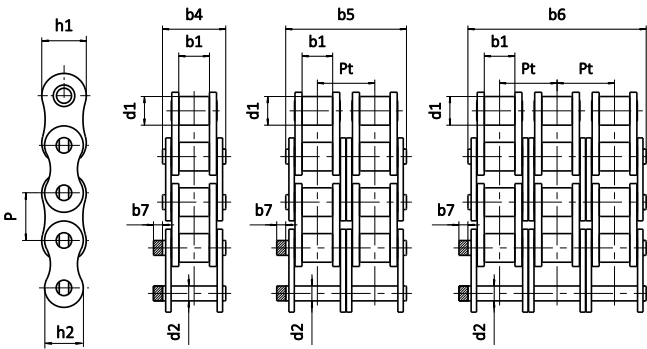
Design of our Alpha Premium ASA chains allows to have **reduced play** between articulations, contributing also to improve resistance to fatigue.

## REINFORCED RESISTANCE TO WEAR

The **new wax**, with an anti-wear and **anti-corrosion protection**, allows to **limit frictions** by liquefying in operation, thanks to a better penetration in the articulations.

The pins have been conceived with carefully selected steels and heat treatments which help obtaining **high hardness and resistance**.

# ASA CHAINS - AMERICAN SERIES - ALPHA *Premium* RANGE



## GENERAL CHARACTERISTICS

These chains designed for use in high power transmission systems comply with international standards: ISO 606.

These chains correspond to the following national standards:  
 - British Standard BS 228  
 - German Standard DIN8187

In these conditions, our chains are interchangeable with all other chains produced to the quoted standards.



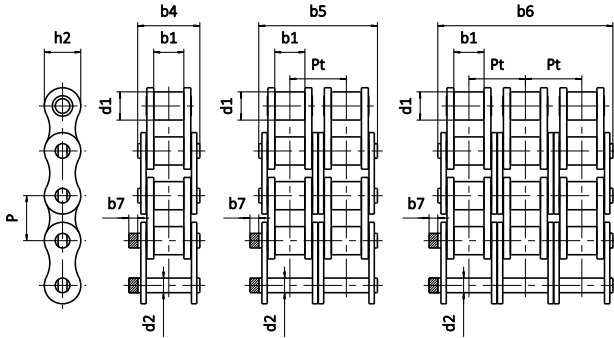
References			Pitch	General dimensions (mm)								Ultimate Tensile Strength			Mass per meter
ISO 606	SEDIS	P		d1	b1	b4 b5 b6	d2	h1	h2	Pt	b7	ISO 606		ALPHA Premium	
												min. kN	nom. kN		
<b>SIMPLEX</b>															
08A-1	40-1	12,7	7,93	7,85	16,3	3,98	12,07	11,5	14,38	5,4	27,8	36,0	39,6	1,2	
10A-1	50-1	15,875	10,16	9,40	20,45	5,09	15,1	13,7	18,11	5,1	43,6	58,0	61,9	2,0	
12A-1	60-1	19,05	11,91	12,58	25,4	5,96	18,1	18	22,78	6,1	62,6	80,0	88,3	2,73	
16A-1	80-1	25,4	15,87	15,75	32,8	7,94	24,13	20,8	29,29	5,8	111,2	141,3	157,0	5,48	
20A-1	100-1	31,75	19,05	18,90	39,6	9,53	30,2	25,4	35,76	7,6	174,0	210,5	233,9	8,29	
24A-1	120-1	38,1	22,22	25,23	49,6	11,1	36,2	30,62	45,44	7,6	250,0	307,9	341,7	11,88	
28A-1	140-1	44,45	25,40	25,4	53,5	12,7	42	35,7	48,87	8,4	340,0	380,7	413,8	14,76	
32A-1	160-1	50,8	28,58	31,75	64	14,27	48,3	40,5	58,55	9,1	446,0	483,3	542,9	19,9	
40A-1	200-1	63,5	39,67	38,10	77,90	19,85	58,00	49,8	71,55	11,9	694,0	760,0	832,0	33,20	
48A-1	240-1	76,2	47,60	47,60	94,50	23,80	71,80	64,2	87,83	11,7	1 000,0	1 400,0	1 460,0	47,25	
<b>DUPLEX</b>															
08A-2	40-2	12,7	7,93	7,85	30,8	3,98	12,07	11,5	14,38	5,3	41,7	54,1	59,4	1,8	
10A-2	50-2	15,875	10,16	9,40	38,9	5,09	15,1	13,7	18,11	5	65,4	87,0	92,8	2,98	
12A-2	60-2	19,05	11,91	12,58	48,3	5,96	18,1	18	22,78	6,1	93,9	120,0	132,4	4,08	
16A-2	80-2	25,4	15,87	15,75	62,3	7,94	24,13	20,8	29,29	5,5	166,8	212,0	235,5	8,16	
20A-2	100-2	31,75	19,05	18,90	75,5	9,53	30,2	25,4	35,76	7	261,0	315,7	350,8	12,4	
24A-2	120-2	38,1	22,22	25,23	95,3	11,1	36,2	30,62	45,44	7,4	375,0	461,9	512,6	17,75	
28A-2	140-2	44,45	25,40	25,4	102,6	12,7	42	35,7	48,87	7,4	510,0	571,1	620,7	22,08	
32A-2	160-2	50,8	28,58	31,75	123	14,27	48,3	40,5	58,55	8,8	669,0	724,9	814,3	29,76	
40A-2	200-2	63,5	39,67	38,10	150,20	19,85	58,00	49,8	71,55	11,5	1 041,0	1 140,0	1 248,0	49,7	
48A-2	240-2	76,2	47,60	47,60	182,20	23,80	71,80	64,2	87,83	11,8	1 500,0	2 100,0	2 190,0	70,5	
<b>TRIPLEX</b>															
08A-3	40-3	12,7	7,93	7,85	45,3	3,98	12,07	11,5	14,38	5,3	41,7	54,1	59,4	1,8	
10A-3	50-3	15,875	10,16	9,40	57	5,09	15,1	13,7	18,11	5	65,4	87,0	92,8	2,98	
12A-3	60-3	19,05	11,91	12,58	71,1	5,96	18,1	18	22,78	6,1	93,9	120,0	132,4	4,08	
16A-3	80-3	25,4	15,87	15,75	91,8	7,94	24,13	20,8	29,29	5,5	166,8	212,0	235,5	8,16	
20A-3	100-3	31,75	19,05	18,90	112,1	9,53	30,2	25,4	35,76	7	261,0	315,7	350,8	12,4	
24A-3	120-3	38,1	22,22	25,23	140,9	11,1	36,2	30,62	45,44	7,4	375,0	461,9	512,6	17,75	
28A-3	140-3	44,45	25,40	25,4	152,4	12,7	42	35,7	48,87	7,4	510,0	571,1	620,7	22,08	
32A-3	160-3	50,8	28,58	31,75	182	14,27	48,3	40,5	58,55	8,8	669,0	724,9	814,3	29,76	
40A-3	200-3	63,5	39,67	38,10	222,20	19,85	58,00	49,8	71,55	11,5	1 041,0	1 140,0	1 248,0	49,7	
48A-3	240-3	76,2	47,60	47,60	270,00	23,80	71,80	64,2	87,83	11,8	1 500,0	2 100,0	2 190,0	70,5	

DELTA®, Heavy duty and long-pitch chains on request.

Connecting links: Also available for some duplex and triplex chains

<b>N° 205</b>  External link to be riveted Available for all chains	<b>N° 206</b>  Connecting link with spring clip Available for pitches: 9,525 to 31,75 mm	<b>N° 208</b>  Cottered connecting link Available for pitches: 25,4 to 63,5 mm	<b>N° 216</b>  Single cranked cottered link Available for pitches: 9,525 to 63,5 mm
--	---	---	--

# ASA CHAINS - AMERICAN SERIES - RECORD® RANGE



## GENERAL CHARACTERISTICS

These chains designed for use in high power transmission systems comply with international standards: ISO 606 (short pitch chains) and ISO 1275 (long pitch chains).

These chains correspond to the following national standards:  
 - British Standard BS 228 (short pitch chains)  
 - German Standard DIN8187 (short pitch chains) and DIN8181 (long pitch chains)



In these conditions, our chains are interchangeable with all other chains produced to the quoted standards.

	References		Pitch P	General dimensions (mm)							Ultimate Tensile Strength (kN)		Mass per meter (Kg/m)
	Ref	SEDIS		d1	b1	b4 b5 b6	d2	h2	Pt	b7	ISO 606	RECORD®	
											min	min	
SIMPLEX	25-1	CA1N025000	6,35	3,30	3,18	7,90	2,31	5,80	-	2,5	3,6	3,50	0,15
	35-1	CA1N035000	9,525	5,08	4,77	12,40	3,58	8,65	-	3,3	7,90	7,90	0,33
	40-1	CA1N040000	12,70	7,92	7,85	17,40	3,97	12,00	-	3,9	13,9	14,10	0,63
	50-1	CA1N050000	15,875	10,16	9,40	20,20	5,08	15,00	-	4,1	21,8	22,20	1,04
	60-1	CA1N060000	19,05	11,91	12,58	26,90	5,96	18,00	-	4,6	31,3	31,80	1,52
	80-1	CA1N080000	25,40	15,87	15,75	33,50	7,94	24,10	-	5,4	55,6	56,60	2,60
	100-1	CA1N100000	31,75	19,05	18,90	41,10	9,54	30,10	-	6,1	87,0	88,50	4,01
	120-1	CA1N120000	38,10	22,22	25,40	49,90	11,10	36,20	-	6,6	125,0	125,00	5,56
	140-1	CA1N140000	44,45	25,40	25,40	53,90	12,70	42,20	-	7,0	170,0	170,00	7,44
	150-1	CA1N160000	50,80	28,58	31,75	63,90	14,27	48,20	-	7,0	223,0	225,00	10,04
200-1	CA1N200000	63,50	39,67	38,10	78,10	19,84	60,30	-	9,0	347,0	348,00	16,70	
DUPLEX	40-2	CA2N040000	12,70	7,92	7,85	30,60	3,97	12,00	14,38	3,9	27,8	28,20	1,25
	50-2	CA2N050000	15,875	10,16	9,40	38,50	5,08	15,00	18,11	4,1	43,6	44,50	2,06
	60-2	CA2N060000	19,05	11,91	12,58	49,70	5,96	18,00	22,78	4,6	62,6	63,60	3,01
	80-2	CA2N080000	25,40	15,87	15,75	62,70	7,94	24,10	29,78	5,4	111,2	113,30	5,15
	100-2	CA2N100000	31,75	19,05	18,90	75,70	9,54	30,10	35,76	6,1	174,0	174,00	7,70
	120-2	CA2N120000	38,10	22,22	25,40	95,30	11,11	36,20	45,44	6,6	250,0	250,00	10,96
	140-2	CA2N140000	44,45	25,40	25,40	102,80	12,70	42,20	48,87	7,0	340,0	350,00	14,76
160-2	CA2N160000	50,80	28,58	31,45	122,30	14,27	48,20	58,55	7,0	446,0	460,00	19,90	
200-2	CA2N200000	63,50	39,67	38,10	149,50	19,84	60,30	71,55	9,0	694,0	700,00	33,20	
TRIPLEX	40-3	CA3N040000	12,70	7,92	7,85	45,30	3,97	12,00	14,38	3,9	41,7	42,30	1,98
	50-3	CA3N050000	15,875	10,16	9,40	56,80	5,08	15,00	18,11	4,1	65,4	66,70	3,07
	60-3	CA3N060000	19,05	11,91	12,58	72,60	5,96	18,00	22,78	4,6	93,9	95,40	4,51
	80-3	CA3N080000	25,40	15,87	15,75	91,90	7,94	24,10	29,78	5,4	166,8	170,00	7,71
	100-3	CA3N100000	31,75	19,05	18,90	113,00	9,54	30,10	35,76	6,1	261,0	265,50	11,86
	120-3	CA3N120000	38,10	22,22	25,40	141,70	11,11	36,20	45,44	6,6	375,0	380,70	17,01
	140-3	CA3N140000	44,45	25,40	25,40	152,40	12,70	42,20	48,87	7,0	510,0	517,00	22,64
	160-3	CA3N160000	50,80	28,58	31,75	182,90	14,27	48,20	58,55	7,0	669,0	680,00	29,22
200-3	CA3N200000	63,50	39,67	38,10	223,50	19,84	60,30	71,55	9,0	1041,0	1 060,00	49,21	
<b>American series chains - STAINLESS STEEL</b>													
SIMPLEX	40-1	C1N040000	12,70	7,97	7,85	11,25	3,93	12,00	-	5,1			
	50-1	C1N050000	15,875	10,16	9,66	13,90	5,04	15,00	-	6,5			
	60-1	C1N060000	19,05	11,95	12,65	17,81	5,91	18,00	-	7,6			
<b>Heavy duty American series chains</b>													
SIMPLEX	50H	CA1N050H000	15,875	10,16	9,40	22,10	5,07	14,48	-	2,4	21,7	21,77	1,20
	60H	CA1N060H000	19,05	11,91	12,58	31,20	5,96	18,00	-	4,6	31,3	31,80	1,81
	80H	CA1N080H000	25,40	15,87	15,75	38,00	7,94	24,10	-	5,4	55,6	56,50	3,00
	100H	CA1N100H000	31,75	19,05	18,90	45,40	9,54	30,10	-	6,1	170,0	88,50	4,38
	120H	CA1N120H000	38,10	22,22	25,23	55,10	11,11	36,20	-	6,6	223,0	126,90	6,61
	140H	CA1N140H000	44,45	25,40	25,22	60,40	12,71	42,20	-	7,4	347,0	172,40	8,33
<b>Double pitch American series chains with straight side plates (ISO 1275)</b>													
SIMPLEX	C2040	CC1N2040000	25,40	7,92	7,85	17,80	3,96	11,66	-	3,9	13,9	14,12	0,49
	C2050	CC1N2050000	31,75	10,16	9,40	21,80	5,08	14,58	-	4,1	21,8	22,26	0,81
	C2060	CC1N2060000	38,10	11,91	12,58	26,90	5,94	18,06	-	4,6	31,3	31,77	1,20
	C2080	CC1N2080000	50,80	15,88	15,75	33,50	7,92	24,05	-	5,4	56,1	56,68	2,10

Connecting links: Also available for some duplex and triplex chains






## THE CONNECTING LINKS

Availability of the links:

		BS CHAIN TYPE B	ANSI CHAIN TYPE A
 <p><b>N° 205</b></p> <p><b>OUTER LINK TO BE RIVETED</b></p> <p>This link is composed of 2 riveted pins on an outer plate. The other plate is fitted by force on the pins which extremities are riveted after assembly of the plate.</p>		X	X
 <p><b>N° 206</b></p> <p><b>SPRING CLIP CONNECTING LINK</b></p> <p>2 pins are riveted on an outer plate. The loose plate is maintained by a special spring clip. The unopened part of the spring clip must be oriented in the rotation way of the chain. For BS chains, these links are supplied with Delta® pins for a better resistance to wear.</p>		X (≤31,75mm)	X (≤ 25,4mm)
 <p><b>N° 208</b></p> <p><b>COTTERED CONNECTING LINK</b></p> <p>Used from 1" pitch (25,4mm) for Delta® chains and from 1.1/4" pitch (31.75mm) in Alpha Premium version. It can be "loose-fit" or "press-fit" type for type B chains.</p>		X (≥ 31,75mm or ≥ 25,4mm)	X (≥ 31,75mm)
 <p><b>N° 209</b></p> <p><b>CONNECTING LINK WITH SELF LOCKING NUTS</b></p> <p>The pins' extremities are threaded to fit a self-locking nut. The play on the loose plate is suppressed by the pin conic ambit (SEDIS specificity).</p>		X (≥ 31,75mm)	

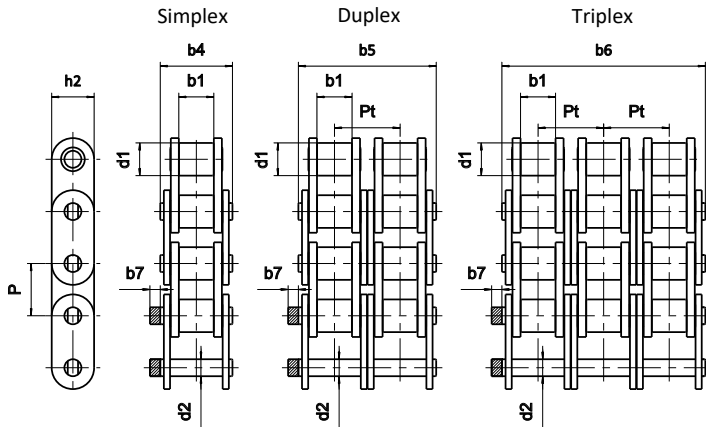
## THE CRANKED LINKS

 <p><b>N° 216</b></p> <p><b>SINGLE CRANKED COTTERED LINK</b></p> <p>Used to obtain a chain with an odd number of pitches from 1/2" (12.7mm) pitch. These links have removable pins.</p>		X	X
 <p><b>N° 217</b></p> <p><b>SINGLE CRANKED LINK SELF LOCKING NUTS</b></p> <p>Used to obtain a chain with an odd number of pitches. The play on the loose plate is suppressed by the pin conic ambit. The assembly is more reliable than the 216 crank link.</p>		X (≥ 31,75mm, except 76,2)	
 <p><b>N° 221</b></p> <p><b>DOUBLE CRANKED LINK</b></p> <p>Used to obtain a chain with an odd number of pitches. It is composed of an inner link and a cranked link linked by a riveted pin. For BS chains, these links are supplied with Delta® pins for a better resistance to wear.</p>		X (≤ 38,10mm)	

**TRANSMISSION  
CHAINS  
ADAPTED  
FOR CONVEYING**



STRAIGHT SIDE PLATE CHAINS - derived from ISO 606 international standard



APPLICATIONS

Conveying of products



ALPHA Premium & DELTA® RANGES

Dimensions in mm

	References			SEDIS RANGE					General dimensions (mm)							Ultimate Tensile Strength (kN)						Mass per meter kg		
				ALPHA Premium	ALPHA Premium INOX	DELTA® HR	DELTA TITANIUM 2	VERTE	d1	b1	b4 b5 b6	d2	h2	Pt	b7	ISO 606	ALPHA Premium	ALPHA Premium INOX	DELTA® HR	DELTA TITANIUM 2	LUB FREE VERTE		VERTE	
	ISO 606	SEDIS	Pitch P																					
<b>BS European series</b>																								
SIMPLEX	06B-1	2ND 3N	9,525	x	x	x	x		6,35	4,10	10,25	3,28	8,2		2,1		9,0		9,0	9,0			0,35	
	08B-1	7NNE	12,7	x	x	x	x	(1)	8,51	7,75	16,60	4,45	11,8		1,5	17,8	18,2	13,3	18,2	18,2	18,2		0,72	
	10B-1	11NNE	15,875	x	x	x	x	(1)	10,16	9,65	19,00	5,08	13,7		1,5	22,2	23,0	14,2	23,0	23,0	23,0		0,96	
	12B-1	13NNE	19,05	x	x	x	x	(1)	12,07	11,68	22,30	5,72	16,2		1,5	28,9	30,5	16,6	30,5	30,5	30,5	30,5		1,25
	16B-1	15TNE	25,4	x	x	x	x	(1)	15,88	17,02	35,10	8,28	20,8		3,0	60,0	66,0	39,0	75,0	75,0	66,0	66,0		2,70
	20B-1	17TNE	31,75	x	x	x	x	(2)	19,05	19,56	40,50	10,19	25,4		8,5	95,0	105,0	46,0	110,0	110,0		99,0	3,90	
	24B-1	18TNE	38,1	x	x	x	x	(2)	25,40	25,40	53,10	14,63	33,4		8,5	160,0	180,0	81,0	180,0	180,0		160,0	7,40	
	32B-1	22TNE	50,8	x	x	x	x	(2)	29,10	30,95	63,60	17,81	42,3		10,4	250,0	270,0		300,0	300,0		250,0	10,00	
DUPLEX	06B-2	203N	9,525	x	x	x	x		6,35	5,77	23,10	3,28	8,2	10,24	2,1	16,9	18,0	9,8	18,0	18,0			0,74	
	08B-2	207NNE	12,7	x	x	x	x	(1)	8,51	7,75	30,60	4,45	11,8	13,92	1,5	31,1	36,4	26,6	36,4	36,4	36,4		1,46	
	10B-2	211NNE	15,875	x	x	x	x	(1)	10,16	9,65	35,75	5,08	13,7	16,59	1,5	44,5	46,0	28,4	46,0	46,0	46,0		1,88	
	12B-2	213NNE	19,05	x	x	x	x	(1)	12,07	11,68	41,80	5,72	16,2	19,46	1,5	57,8	61,0	37,2	61,0	61,0	61,0	61,0		2,44
	16B-2	215TNE	25,4	x	x	x	x	(1)	15,88	17,02	68,00	8,28	20,8	31,88	3,0	106,0	132,0	78,0	150,0	150,0	132,0	132,0		5,89
	20B-2	217TNE	31,75	x	x	x	x	(2)	19,05	19,56	79,70	10,19	25,4	36,45	8,5	170,0	210,0	92,0	220,0	220,0		198,0	7,70	
	24B-2	218TNE	38,1	x	x	x	x	(2)	25,40	25,40	101,80	14,63	33,4	48,36	8,5	280,0	360,0	162,0	360,0	360,0		320,0	14,70	
	32B-2	222TNE	50,8	x	x	x	x	(2)	29,21	30,95	121,60	17,81	42,3	58,55	10,4	450,0	540,0		600,0	600,0		500,0	19,80	
TRIPLEX	06B-3	303N	9,525	x	x	x	x		6,35	5,77	33,00	3,28	8,2	10,24	2,1	24,9	27,0		27,0	27,0			1,10	
	08B-3	307NNE	12,7	x	x	x	x	(1)	8,51	7,75	44,60	4,45	11,8	13,92	1,5	44,5	54,6	39,9	54,6	54,6	54,6		2,14	
	10B-3	311NNE	15,875	x	x	x	x	(1)	10,16	9,65	52,30	5,08	13,7	16,59	1,5	66,7	69,0	42,6	69,0	69,0	69,0		2,80	
	12B-3	313NNE	19,05	x	x	x	x	(1)	12,07	11,68	61,40	5,72	16,2	19,46	1,5	86,7	91,5	49,8	91,5	91,5	91,5		3,55	
	16B-3	315TNE	25,4	x	x	x	x	(1)	15,88	17,02	99,90	8,28	20,8	31,88	3,0	160,0	198,0	117,0	225,0	225,0	198,0	198,0		8,40
	20B-3	317TNE	31,75	x	x	x	x	(2)	19,05	19,56	116,10	10,19	25,4	36,45	8,5	250,0	315,0	138,0	330,0	330,0		297,0	11,50	
	24B-3	318TNE	38,1	x	x	x	x	(2)	25,40	25,40	150,20	14,63	33,4	48,36	8,5	425,0	540,0	243,0	540,0	540,0		480,0	22,20	
	32B-3	322TNE	50,8	x	x	x	x	(2)	29,21	30,95	179,80	17,81	42,3	58,55	10,4	670,0	810,0		900,0	900,0		750,0	29,60	

ANSI versions and double pitch versions on request only.  
 (1): References in Lub Free. In DELTA® VERTE please consult us  
 (2): Only available in DELTA® VERTE

RECORD® RANGE

	Reference		Pitch	Record® range		General dimensions (mm)							Ultimate Tensile Strength (kN)			Mass per meter (Kg/m)	
	ISO 606	SEDIS		Record®	Record® nickel	d1	b1	b4 b5 b6	d2	h2	Pt	b7	ISO 606	RECORD®	RECORD® nickel	RECORD®	RECORD® nickel
			P			max	min	max	max	max		max	min	min	min		
SIMPLEX	06B-1	CC1N06B000	9,525	x		6,35	5,72	13,15	3,28	8,20	-	3,65	8,9	10,40	-	0,41	0,41
	08B-1	CC1N08B000	12,70	x	x	8,51	7,75	16,60	4,45	11,80	-	1,5	17,8	17,80	17,80	0,72	0,72
	10B-1	CC1N10B000	15,875	x	x	10,16	9,65	19,00	5,08	14,70	-	1,5	22,2	22,20	22,20	0,96	0,96
	12B-1	CC1N12B000	19,05	x	x	12,07	11,68	22,30	5,72	16,10	-	1,5	28,9	29,00	29,00	1,25	1,25
	16B-1	CC1N16B000	25,40	x	x	15,88	17,02	36,10	8,27	21,00	-	5,4	60,0	60,00	60,00	3,34	3,34
DUPLEX	08B-2	CCN2N08B000	12,70		x	8,51	7,75	31,00	4,45	11,80	13,92	3,9	31,1	-	32,00	-	1,32
	10B-2	CCN2N10B000	15,875		x	10,16	9,65	36,20	5,08	14,70	16,59	4,1	44,5	-	44,50	-	1,66
	12B-2	CCN2N12B000	19,05		x	12,07	11,68	42,20	5,72	16,10	19,46	4,6	57,8	-	57,80	-	2,29
	16B-2	CCN2N16B000	25,40		x	15,88	17,02	68,00	8,27	21,00	31,88	5,4	106,0	-	114,70	-	5,89

CHAINS WITH DEEP LINK SIDE PLATES - Derived from ISO 606

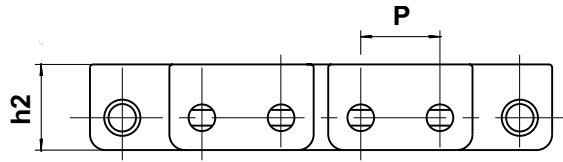
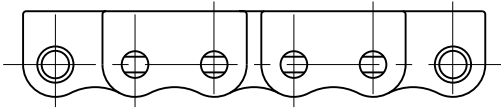
APPLICATIONS

These chains allow load to be conveyed directly on the side plate. Eg. bricks, tiles, building materials, ... For this type of use, it is recommended to use DELTA®.



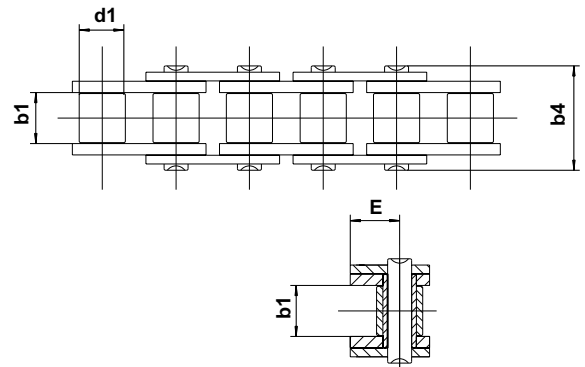
WAISTED PLATES

STRAIGHT SIDE PLATES



Dimensions in mm

References		Pitch P	VERSIONS		plate shape	d1 max.	b1 min.	b4 max.	h2	E	UTS kN
ISO 606	SEDIS		ALPHA Premium	DELTA® HR							
	10N	15,875	x	x	waisted	10,16	6,50	16,4	18,0	11,1	23
10B-1	11N	15,875	x	x	waisted	10,16	9,65	19,0	18,0	11,1	23
12A-1	60-1	19,05	x	x	straight	11,91	12,65	25,4	22,3	14,1	38



CONVEYOR BELT CHAINS

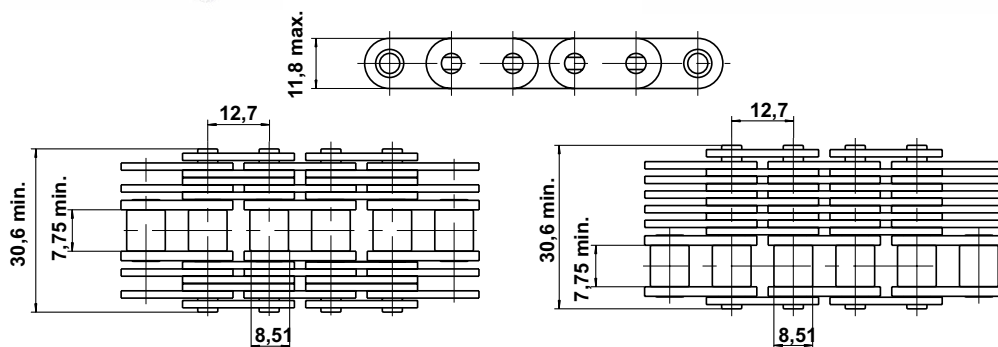
These chains called "belt" chains are always derived from chains with straight side plates. They retain the same characteristics to the nearest lateral dimension. They can be of the lateral type (with plates) with one or two sides. The basis may be a simple, duplex or triplex chain.

APPLICATIONS

In light handling, for conveying loads placed directly on the chain and accumulated.  
The number of plates limits the contact pressure and hence the marking of parts.



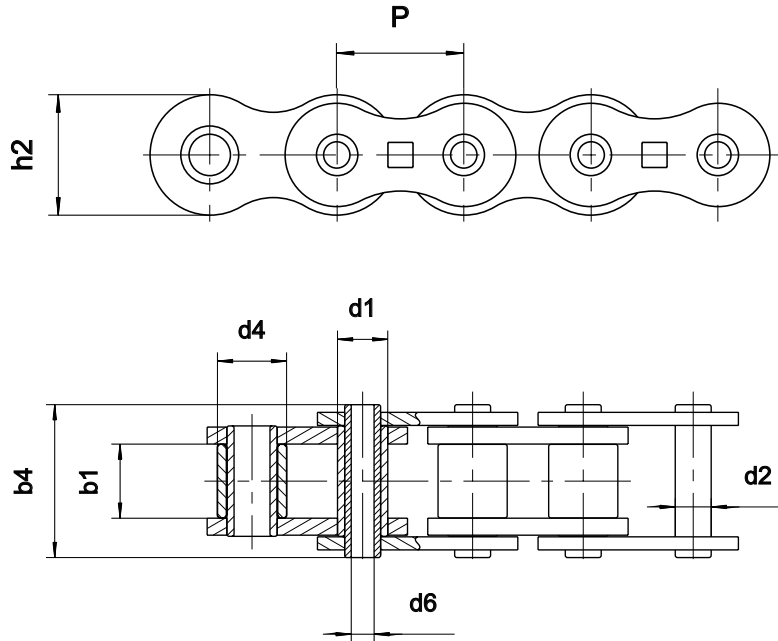
e.g.: basic chain 7NNE



# HOLLOW BEARING PIN CHAINS

## APPLICATIONS

In light handling, small conveyors usually using two parallel chains  
 Examples: transport of sprays, of toothpaste, packaging machinery



Dimensions in mm

References		Pitch  P	SEDIS RANGES				d1 max.	d4 max.	b1 min.	b4 max.	d2 max.	d6 min.	h2 max.	Nominal bearing surface mm <sup>2</sup>	Ultimate Tensile Strength				Mass per meter kg
ISO 606	SEDIS		ALPHA Premium	ALPHA Premium INOX	DELTA <sup>®</sup> HR	DELTA TITANIUM 2									ALPHA Premium	ALPHA Premium INOX	DELTA <sup>®</sup> HR	DELTA TITANIUM 2	
			x	x	x	x									min. kN	min. kN	min. kN	min. kN	
08B-1	7C40	12,7	x			8,51	.	7,75	16,50	6,55	4,00	11,80	73	11,1				0,58	
08B-1	7C45	12,7	x			8,51	.	7,75	16,50	6,55	4,50	11,80	73	11,1				0,53	
12B-1	13C	19,05	x			12,07	.	11,68	23,00	8,25	6,10	18,30	128	24,0				1,07	
16A-1	80C	25,4	x			15,88	.	15,87	32,60	11,58	8,05	24,00	260	41,2				2,00	
SEDIS Special chains	5508-03	25,4	x	(1)		.	17,10	19,90	35,70	11,11	8,20	20,80	292	44,0	15,0			2,40	
	5508-06	25,4	x			14,11	.	19,90	35,70	11,11	8,20	20,80	292	44,0				2,30	
	A55BC	41,75	x	(1)		.	17,10	19,90	35,70	11,11	8,20	21,65	292	26,5	17,6			1,43	
	A155TS	41,75	x		x	.	17,10	19,90	35,70	11,11	8,20	25,26	292	49,0		49,0	49,0	1,90	
	ZC50B50	50,8	x			22,51	.	19,00	46,60	17,10	12,50	32,00	540	60,0				3,70	
	ZC50S50	50,8	x			.	29,34	19,00	46,60	17,10	12,50	32,00	540	60,0				4,50	
	ZC60B60	60	x			22,51	.	19,00	46,60	17,10	12,50	32,00	540	60,0				3,40	
	ZC60S60	60	x			.	29,34	19,00	46,60	17,10	12,50	32,00	540	60,0				4,00	
S800	80	x			.	29,00	31,00	53,10	17,10	12,50	40,00	660	70,0				5,30		

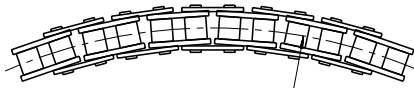
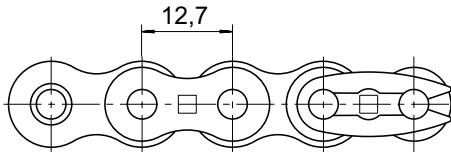
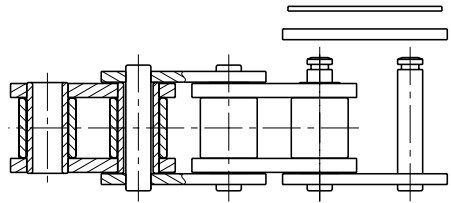
(1): Possibility to manufacture Stainless steel version. Consult us for dimensions.

Other conveyor chains with hollow bearing pin: MC27, MC55, MC110 (See Conveyor Chains Catalogue)



**CHAIN 7N (08B-1)**

drawing: 5272-74



Radius of the installation: R = 400mm min



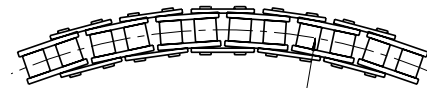
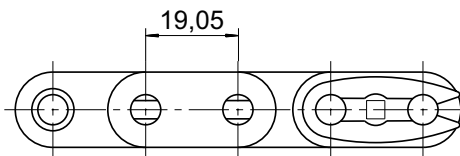
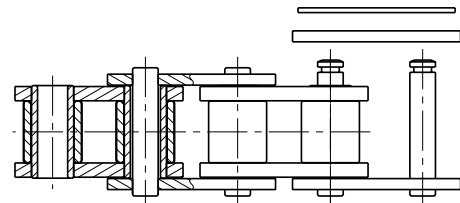
**Average chain pitch =  
12,94mm**

To be used with the sprockets of 7N chain with 17 teeth maximum

**CHAIN 60-1NE (12A-1)**

drawing: 5312-53

Example: conveyor of bottles for bottling lines



Radius of the installation: R = 650mm min

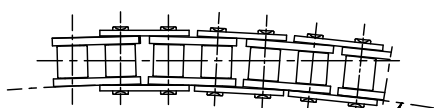
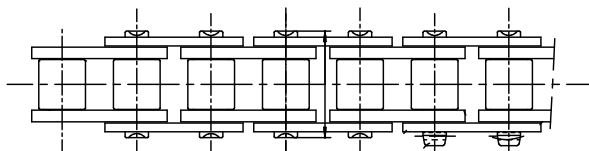
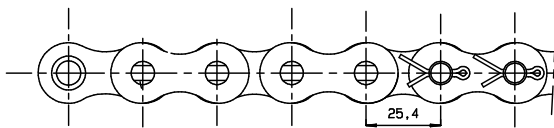


**Average chain pitch =  
19,3mm**

To be used with the sprockets of 60-1NE chain with 17 teeth maximum

**CHAIN 15T (16B-1)**

drawing: 5811-32

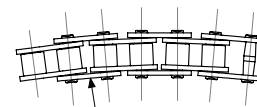
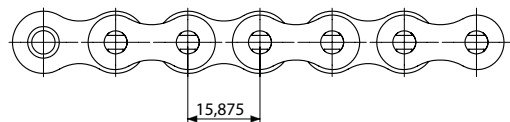
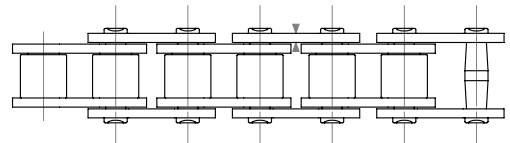


Radius of the installation: R = 3000mm min

**CHAIN 50-1**

«BARREL» SHAPED PINS

drawing: 5245-58



Radius of the installation: R = 400mm min

80-1 version with «barrel» shaped pins: 5294-33

**ACCUMULATOR CHAINS** - Basic chains comply with ISO 606

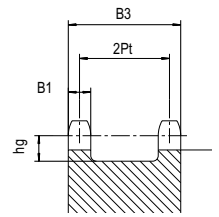
**APPLICATIONS**

Conveying of support tables, of pallets, skid conveyors. These conveyor systems rest on rollers (side or central) and can be stopped and accumulated while the chain retains a constant linear speed.



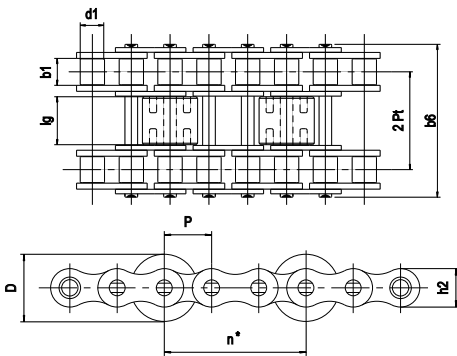
The central rollers are made of **steel or plastic**.  
 Two solutions to improve the acceleration of loads:  
 1- The use of central roller **TURNING** around **BUSH**,  
 2- The use of **BRAKING CLIPS** to brake the rotation of central rollers.  
 Please, consult us.

**CORRESPONDING SPROCKET**



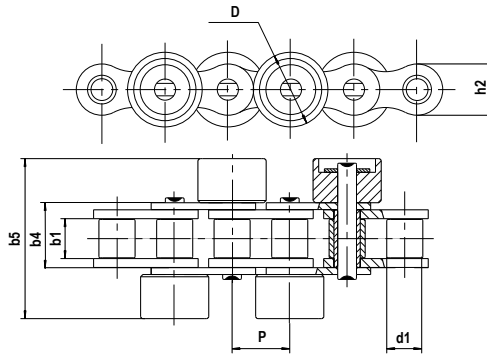
Chain reference		Pitch	2Pt	B1	B3	hg
ISO 606	SEDIS	mm				min.
06B-3	303N	9,525	20,48	5,2	25,6	8,0
08B-3	307N	12,7	27,84	7,0	34,9	10,0
10B-3	311N	15,875	33,18	9,0	42,1	12,0
12B-3	313N	19,05	38,92	10,8	49,8	15,0
16B-3	315T	25,4	63,76	15,8	76,6	18,5
20B-3	317T	31,75	72,90	18,2	91,0	23,5
24B-3	318T	38,1	96,72	23,6	120,3	25,0

**A TYPE**



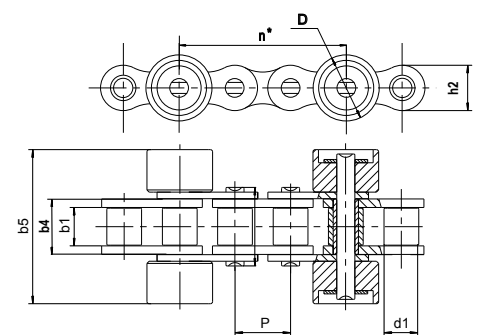
Distinctive feature: \*n = Number of pitches P between 2 rollers  
 n minimum = 2  
 Frequency «n» to be precised

**C TYPE**



Distinctive feature: Mounting of rollers alternatively every pitch allows transportation of short loads

**D TYPE**



Distinctive feature: \*n = Number of pitches between 2 rollers  
 n minimum = 2  
 Frequency «n» to be precised

Dimensions in mm

References		Pitch	SEDIS RANGE				d1	D	lg	b1	b4	b5	b6	Pt	Ultimate Tensile Strength (kN)			
ISO 606	SEDIS		ALPHA Premium	DELTA® HR	DELTA TITANIUM 2	VERTE									ALPHA Premium	DELTA® HR	DELTA TITANIUM 2	VERTE
		P				max.		min.	min.	max.	max.	max.						
<b>A TYPE</b>																		
06B-3	303N	9,525	x	x	x		6,35	14,0	7,4	5,77			33,00	10,24	17,6	18,0	18,0	
08B-3	307N	12,7	x	x	x	(1)	8,51	18,0	9,9	7,75			44,60	13,92	36,4	36,4	36,4	33,2
10B-3	311N	15,875	x	x	x	(1)	10,16	22,0	11,7	9,65			52,30	16,59	46,0	46,0	46,0	37,2
12B-3	313N	19,05	x	x	x	(1)	12,07	28,0	15,5	19,0	11,68		61,40	19,46	61,0	61,0	61,0	61,0
16B-3	315T	25,4	x	x	x	(1)	15,88	35,0	24,4	17,02			99,90	31,88	132,0	150,0	150,0	132,0
20B-3	317T	31,75	x	x	x		19,05	45,0	35,1	19,56			116,10	36,45	210,0	220,0	220,0	
24B-3	318T	38,1	x	x	x		25,40	50,0	47,0	25,40			150,20	48,36	360,0	360,0	360,0	
<b>C TYPE</b>																		
08B	7N	12,7	x	x	x		8,51	15,8		7,75	16,60	33,00			18,2	18,2	18,2	
10B	11N	15,875	x	x	x		10,16	22,0		9,65	19,00	42,00			23,0	23,0	23,0	
12B	13N	19,05	x	x	x		12,07	25,0		11,68	22,30	48,00			30,5	30,5	30,5	
<b>D TYPE</b>																		
08B	7N	12,7	x	x	x		8,51	15,8		7,75	16,60	33,00			18,2	18,2		
10B	11N	15,875	x	x	x		10,16	22,0		9,65	19,00	42,00			23,0	23,0		
12B	13N	19,05	x	x	x		12,07	25,0		11,68	22,30	48,00			30,5	30,5		

(1): References in Lub Free version. Delta® VERTE version on request.

Many other possible versions. Consult us.

APPLICATIONS

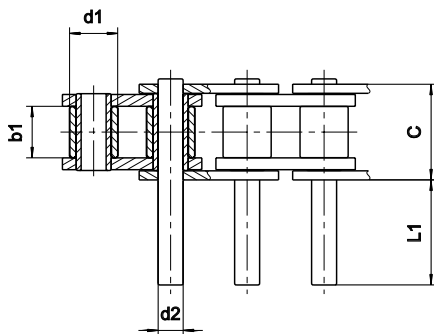
Light conveyor, to transfer parts to different workstations, conveyors, indexing mechanisms and lifting installations.

DESPATCH POSSIBLE WITHIN 48 HOURS  
for highlighted references    
50M MAXIMUM (consult us)

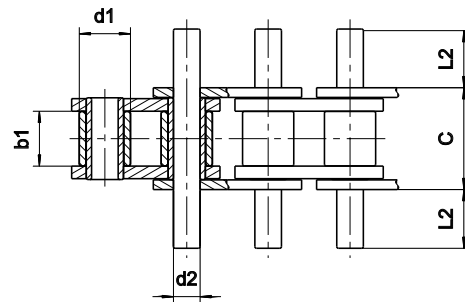


The main advantage of this type of conveyor chain is that the effort is applied without torque in the center of the chain. These pins are fitted on request according to the chosen position to be specified when ordering.

OFF-SET



SYMETRICAL



Dimensions in mm

References		Pitch	SEDIS RANGE					d1	b1	c	d2	L1						L2											
ISO 606	SEDIS		ALPHA Premium	ALPHA Premium INOX	DELTA® HR	DELTA Titanium 2	CHAIN VERTE					max.	min.	max.	max.														
06B-1	3N	9,525	x		x	x		6,35	5,77	11,01	3,28	11,1	21,7					5,8	11,1										
08B-1	7N	12,7	x	x	x	x	(1)	8,51	7,75	14,43	4,45	3,5	15,2	29,2				2,2	8,1	15,1									
10B-1	11N	15,875	x	x	x	x	(1)	10,16	9,65	16,95	5,08	4,3	11,2	17,8	21	24,8	34,4	39,1	2,6	6,1	9,4	11,0	12,9	17,7	20,0				
12B-1	13N	19,05	x	x	x	x	(1)	12,07	11,68	19,75	5,72	10,4	14,1	20,9	40,5			5,8	7,6	11,0	20,8								
16B-1	15T	25,4	x	x	x	x	(1)	15,88	17,02	32,10	8,28	8,3	18,3	21,5	34,3	66,2	98,1	130	193,6	5,0	10,0	11,6	18,0	33,9	49,9	65,8	97,6		
20B-1	17T	31,75	x	x	x	x	(2)*	19,05	19,56	36,80	10,19	6,6	10,3	14,0	21,5	25,4	38,4	54,4	74,9	4,2	6,0	7,9	11,6	13,6	20,1	28,1	38,3		
24B-1	18T	38,1	x	x	x	x	(2)*	25,40	25,40	48,72	14,63	11,7	16,9	37,4	51,1	58,3	79,7	99,5	341,4	6,8	9,4	19,7	26,5	30,1	40,8	50,7	171,7		
28B-1	20T	44,45	x		x	x	(2)	27,94	30,99	60,00	15,90	22,0	48,1	62,5	122,4			12,1	25,2	32,4	62,3								
32B-1	22T	50,8	x		x	x	(2)	29,21	30,99	58,62	17,81	19,5	61,8	44,2	69,0	120,7	179,3	294,6	10,9	32,1	23,3	35,7	61,5	90,8	148,7				
40B-1	23T	63,5	x		x	x	(2)	39,37	38,10	72,70	22,89	30,0	62,2	76,4	149,0	221,4	294,4	16,5	32,6	39,7	76,0	112,2	148,7						
48B-1	24T	76,2	x		x	x		48,26	47,70	91,40	29,22	35,5	95,7	186,9				19,4	49,5	95,1									

(1): References in Lub Free. In DELTA® VERTE please consult us

(2): Only available in DELTA® VERTE

\* The pin diameter is different. Please consult us.

To know chains' UTS, see tables on pages 18 and 19.

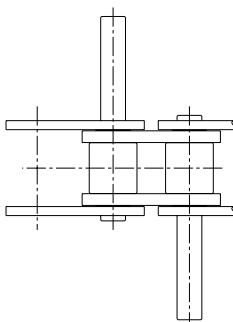
Other possibilities:

- Execution on double strand chains
- Execution on ANSI - American series

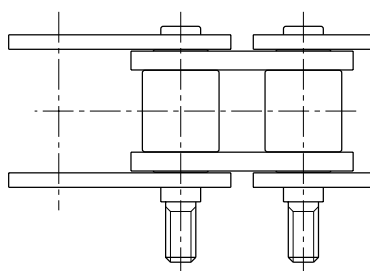
MATCHING POSSIBLE FOR HIGHER ACCURACY

OTHER SPECIAL EXTENDED PINS

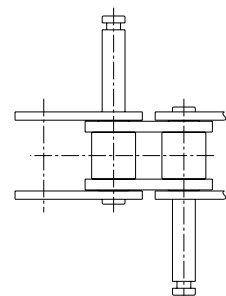
ALTERNATELY OFF-SET PINS



THREADED PINS



CONNECTING PINS



# CHAINS WITH "K" ATTACHMENTS - comply with ISO 606

## APPLICATIONS

Conveyors and special machines, mounting on transport systems using two or more chains in parallel.

**DESPATCH POSSIBLE WITHIN 48 HOURS**

for highlighted references

**50M MAXIMUM** (consult us)

MATCHING POSSIBLE FOR HIGHER ACCURACY

**K1C**



**K3L**



**\*\* K1C ATTACHMENTS EVERY 2 PITCHES ON ONE SIDE ON OUTER LINKS AVAILABLE IN STOCK**

## ATTACHMENTS K1C

fitting possible at every pitch on one or both sides  
(Except for 17T. Minimum every 2 pitches on outer links on one or both sides)

Dimensions in mm

References	ISO 606	SEDIS	Pitch P	SEDIS RANGE				VERTE	d1 max.	b1 min.	Over riveted pins max.	B min.	C nom.	D maxi	E nom.	F max.	G nom.	H nom.
				ALPHA Premium	ALPHA Premium INOX	DELTA® HR	DELTA® Titanium 2											
<b>K1C attachment on OUTER link</b>																		
06B-1	3N	9,525	x		x	x		6,35	5,77	12,50	3,10	19,85	29,05	6,55	8,30			1
08B-1	7N	12,7	**		x	x	(1)	8,51	7,75	16,60	4,30	25,40	37,95	9,20	10,70			1,3
10B-1	11N	15,875	x		x	x	(1)	10,16	9,65	19,00	5,30	31,75	46,65	10,60	13,80			1,6
12B-1	13N	19,05	**		x	x	(1)	12,07	11,68	22,30	7,12	38,10	61,00	13,80	16,50			1,8
16B-1	15T	25,4	x	x	x	x	(1)	15,88	17,02	35,10	8,40	50,80	74,00	16,15	20,76			3
20B-1	17T	31,75	x		x	x		19,05	19,56	40,50	8,40	63,50	96,00	20,10	25,76			3,5
(*)	18T	38,1	x		x	x		25,40	25,40	53,10	11,00	88,00	129,00	25,00	38,00			5
<b>K1C attachment on INNER link</b>																		
08B-1	7N	12,7	x		x	x		8,51	7,75	16,60	4,30	25,40	35,55	9,20	10,70			1,6
10B-1	11N	15,875	x		x	x		10,16	9,65	19,00	5,30	31,75	42,65	10,60	13,80			1,6
12B-1	13N	19,05	x		x	x		12,07	11,68	22,30	7,12	38,10	57,00	13,80	16,50			1,8
16B-1	15T	25,4	x		x	x		15,88	17,02	35,10	8,40	50,80	74,00	16,15	20,76			3,9
20B-1	17T	31,75	x		x	x		19,05	19,56	40,50	8,40	63,50	96,00	20,10	25,76			4,5

## ATTACHMENTS - K1L- K2L- K3L

fitting at minimum every two pitches (one or both sides)

<b>K1L attachment on OUTER link</b>																		
06B-1	3N	9,525	x		x	x		6,35	5,77	12,50	3,10	19,85	29,05	6,55	17,70			1,00
08B-1	7N	12,7	x		x	x	(1)	8,51	7,75	16,60	4,30	25,40	37,95	9,20	24,50			1,30
10B-1	11N	15,875	x		x	x	(1)	10,16	9,65	19,00	5,30	31,75	46,65	10,60	29,50			1,60
12B-1	13N	19,05	x		x	x	(1)	12,07	11,68	22,30		Use K3L						
16B-1	15T	25,4	x	x	x	x	(1)	15,88	17,02	35,10	8,40	50,80	74,00	16,15	47,20			3,00
<b>K1L attachment on INNER link</b>																		
08B-1	7N	12,7	x		x	x		8,51	7,75	16,60	4,30	25,40	35,55	9,20	24,50			1,60
16B-1	15T	25,4	x		x	x	(1)	15,88	17,02	35,10	8,40	50,80	74,00	16,15	47,20			3,90
<b>K2L attachment on OUTER link</b>																		
06B-1	3N	9,525	x		x	x		6,35	5,77	12,50	3,10	19,85	29,05	6,55	17,70			1,00
08B-1	7N	12,7	x		x	x	(1)	8,51	7,75	16,60	4,80	25,40	37,95	9,20	24,50	12,70		1,30
10B-1	11N	15,875	x	x	x	x	(1)	10,16	9,65	19,00	5,30	31,75	46,65	10,60	29,50	15,88		1,60
12B-1	13N	19,05	x		x	x	(1)	12,07	11,68	22,30		Use K3L						
16B-1	15T	25,4	x	x	x	x	(1)	15,88	17,02	35,10	8,40	50,80	74,00	16,15	47,20	25,40		3,00
(*)	17T	31,75	x		x	x		19,05	19,56	40,50	10,40	69,00	100,00	21,00	57,50	31,70		3,50
(*)	18T	38,1	x		x	x		25,40	25,40	53,10	12,40	88,00	126,00	28,00	72,00	38,10		5,00
28B-1	20T	44,45	x		x	x		27,94	30,99	65,10	13,50	88,90	125,00	28,90	79,60	45,00		6,35
(*)	80-1	25,4	x		x	x		15,88	15,87	33,05	8,40	47,90	71,00	16,15	47,20	25,40		3,00
<b>K2L attachment on INNER link</b>																		
08B-1	7N	12,7	x		x	x		8,51	7,75	16,60	4,80	25,40	35,55	9,20	24,50	12,70		1,30
10B-1	11N	15,875	x		x	x		10,16	9,65	19,00	5,30	31,75	42,65	10,60	29,50	15,88		1,60
16B-1	15T	25,4	x		x	x	(1)	15,88	17,02	35,10	8,40	50,80	74,00	16,15	47,20	25,40		3,90
(*)	17T	31,75	x		x	x		19,05	19,56	40,50	10,40	69	100,00	21,00	57,50	31,7		3,50
<b>K3L attachment on OUTER link</b>																		
12B-1	13N	19,05	x	x	x	x	(1)	12,07	11,68	22,30	6,40	38,10	61,00	13,80	35,10	19,05		1,80
16B-1	15T	25,4	x	x	x	x	(1)	15,88	17,02	35,10	8,40	50,80	74,00	16,15	47,20	25,40		3,00
<b>K3L attachment on INNER link</b>																		
16B-1	15T	25,4	x		x	x	(1)	15,88	17,02	35,10	8,40	50,80	74,00	16,15	47,20	25,40		3,90

(\*) Warning, attachment dimensions do not comply with standards

## DOUBLE PITCH CHAINS - comply with ISO 1275

<b>K1, K2 attachment on OUTER link</b>																		
210A	2050	31,75	x		x	x	(1)	10,16	9,65	20,45	5,30	31,60	50,60	12,00	28,00	15,90		2,00
<b>K5 attachment on OUTER link</b>																		
212A	2060	38,1	x		x	x	(1)	11,91	12,65	25,40	6,50	38,60	57,50	12,00	55,50	38,10		2,35

(1): References in Lub Free. In DELTA® VERTE please consult us

Also available in duplex or triplex chains

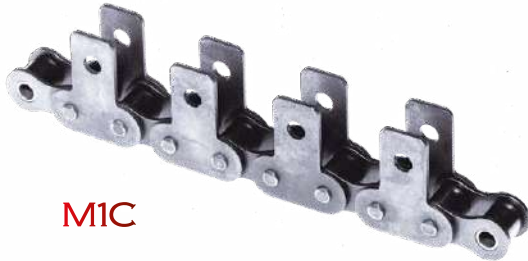
2060 chain with K5 attachment



APPLICATIONS

Conveyors and special machines, mounting on transport systems using in general two or several chains in parallel

DESPATCH POSSIBLE WITHIN 48 HOURS  
for highlighted references    
50M MAXIMUM (consult us)



MIC



M3L

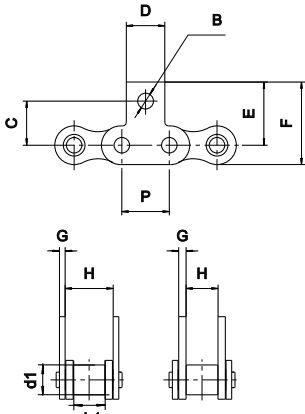
MATCHING POSSIBLE FOR HIGHER ACCURACY

ATTACHMENTS M1C

fitting possible at every pitch on one or both sides

Dimensions in mm

M1C: Short attachment with 1 hole

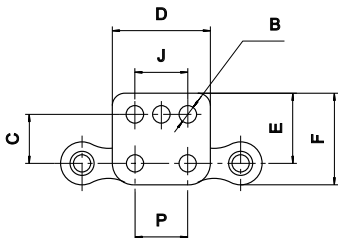


References	ISO 606	SEDIS	Pitch P	SEDIS RANGE					d1 max.	b1 min.	Over riveted pins max.	B min.	C nom.	D maxi	E nom.	F max.	G nom.	H min.	J nom.
				ALPHA Premium	ALPHA Premium INOX	DELTA® HR	DELTA Titanium 2	CHAIN VERTE											
<b>M1C attachment on OUTER link</b>																			
06B-1	3N	9,525	x	x	x	x	(1)	6,36	5,77	12,50	3,10	10,00	8,30	14,60	18,70	1,00	8,63		
08B-1	7N	12,7	x	x	x	x	(1)	8,51	7,75	16,60	4,30	13,80	10,70	20,00	26,10	1,30	11,45		
10B-1	11N	15,875	x	x	x	x	(1)	10,16	9,65	19,00	5,30	16,60	13,80	24,00	31,05	1,60	13,30		
12B-1	13N	19,05	x	x	x	x	(1)	12,07	11,68	22,30	7,12	22,20	16,50	32,45	40,75	1,80	15,75		
16B-1	15T	25,4	x	x	x	x	(1)	15,88	17,02	35,10	8,40	23,50	20,76	33,65	44,15	3,00	25,58		
20B-1	17T	31,75	x	x	x	x		19,05	19,56	40,50	8,40	31,75	25,76	46,00	58,83	3,50	29,14		
<b>M1C attachment on INNER link</b>																			
08B-1	7N	12,7	x	x	x	x		8,51	7,75	16,60	4,30	15,00	10,70	20,00	26,10	1,60	7,75		
10B-1	11N	15,875	x	x	x	x		10,16	9,65	19,00	5,30	18,30	13,80	24,00	31,05	1,60	9,65		
12B-1	13N	19,05	x	x	x	x		12,07	11,68	22,30	7,12	22,20	16,50	32,45	40,75	1,80	11,68		
16B-1	15T	25,4	x	x	x	x		15,88	17,02	35,10	8,40	27,30	20,76	36,80	47,30	3,90	17,02		

ATTACHMENTS - M1L - M2L - M3L

fitting possible at every pitch on one or both sides, except for 17T

M1L: Long attachment with 1 hole  
M2L: Long attachment with 2 holes  
M3L: Long attachment with 3 holes



<b>M1L attachment on OUTER link</b>																			
06B-1	3N	9,525	x	x	x	x		6,35	5,77	12,50	3,10	10,00	17,70	14,60	18,70	1,00	8,63		
08B-1	7N	12,7	x	x	x	x	(1)	8,51	7,75	16,60	4,30	13,80	24,50	20,00	26,10	1,30	11,45		
10B-1	11N	15,875	x	x	x	x	(1)	10,16	9,65	19,00	5,30	16,60	29,50	24,00	31,05	1,60	13,30		
12B-1	13N	19,05	x	x	x	x	(1)	12,07	11,68	22,30				Use M3L					
16B-1	15T	25,4	x	x	x	x	(1)	15,88	17,02	35,10	8,40	23,50	47,20	33,65	44,15	3,00	25,58		
<b>M1L attachment on INNER link</b>																			
08B-1	7N	12,7	x	x	x	x		8,51	7,75	16,60	4,30	15,00	24,50	20,00	26,10	1,60	7,75		
16B-1	15T	25,4	x	x	x	x		15,88	17,02	35,10	8,40	27,30	47,20	36,80	47,30	3,90	17,02		
<b>M2L attachment on OUTER link</b>																			
06B-1	3N	9,525	x	x	x	x		6,35	5,77	12,50	3,10	10,00	17,70	14,60	18,70	1,00	8,63	9,50	
08B-1	7N	12,7	x	x	x	x	(1)	8,51	7,75	16,60	4,80	13,80	24,50	20,00	26,10	1,30	11,45	12,70	
10B-1	11N	15,875	x	x	x	x	(1)	10,16	9,65	19,00	5,30	16,60	29,50	24,00	31,05	1,60	13,30	15,88	
12B-1	13N	19,05	x	x	x	x	(1)	12,07	11,68	22,30				Use M3L					
16B-1	15T	25,4	x	x	x	x	(1)	15,88	17,02	35,10	8,40	23,50	47,20	33,65	44,15	3,00	25,58	25,40	
16A-1	80-1	25,4	x	x	x	x		15,88	15,87	32,80	8,40	23,50	47,20	33,65	44,15	3,00	25,40		
<b>M2L attachment on INNER link</b>																			
08B-1	7N	12,7	x	x	x	x		8,51	7,75	16,60	4,80	15,00	24,50	20,00	26,10	1,60	7,75	12,70	
16B-1	15T	25,4	x	x	x	x	(1)	15,88	17,02	35,10	8,40	27,30	47,00	37,00	47,30	3,90	17,02	25,40	
<b>M3L attachment on OUTER link</b>																			
12B-1	13N	19,05	x	x	x	x	(1)	12,07	11,68	22,30	6,40	21,20	35,10	32,45	40,75	1,80	15,75	19,05	
16B-1	15T	25,4	x	x	x	x	(1)	15,88	17,02	35,10	8,40	23,50	47,20	33,65	44,15	3,00	25,58	25,40	
<b>M3L attachment on INNER link</b>																			
16B-1	15T	25,4	x	x	x	x	(1)	15,88	17,02	35,10	8,40	27,30	47,20	36,80	47,30	3,90	17,02	25,40	

DOUBLE PITCH CHAINS - comply with ISO 1275

<b>M1, M2 attachment on OUTER link</b>																			
210A	2050	31,75	x	x	x	x		10,16	9,65	20,45	5,30	16,80	28,00	25,80	33,05	2,00	13,97	15,88	
<b>M5 attachment on OUTER link</b>																			
212A	2060	38,1	x	x	x	x		11,91	12,65	25,40	6,50	17,60	55,50	27,00	35,70	2,35	17,80	38,10	

(1): References in Lub Free. In DELTA® VERTE please consult us  
Also available in duplex or triplex chains

# CHAINS WITH SPECIAL ATTACHMENTS TYPE "B"

Attachments not complying with ISO 606 fitted with with chains which complies with ISO 606

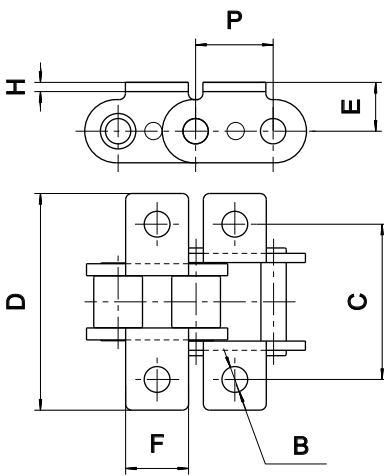
## APPLICATIONS

Conveyor lines, mounting on transport systems generally using 2 chains in parallel

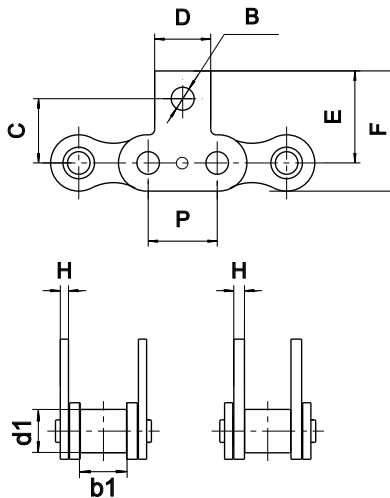
MATCHING POSSIBLE FOR HIGHER ACCURACY



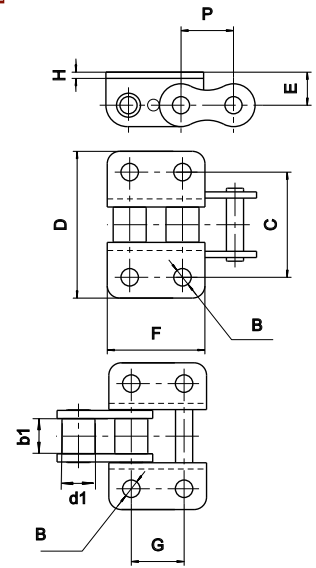
K1



M1



K2



Dimensions in mm

References		Pitch P	SEDIS RANGE				VERTE	d1 max.	b1 min.	Over riveted pins max.	B min.	C nom.	D maxi	E nom.	F max.	G nom.	H min.
ISO 606	SEDIS		ALPHA Premium	ALPHA Premium INOX	DELTA® HR	DELTA Titanium 2											
<b>K1 attachment on OUTER link</b>																	
08B-1	7N	12,7	x	x	x	x	(1)	8,51	7,75	16,6	4,30	23,80	36,80	9,20	10,70	.	1,30
10B-1	11N	15,875	x	x	x	x	(1)	10,16	9,65	19,0	5,30	31,75	45,00	10,60	13,80	.	1,60
<b>K1 attachment K1 on INNER link</b>																	
08B-1	7N	12,7	x		x	x		8,51	7,75	16,6	4,30	23,80	32,90	9,20	10,70	.	1,60
10B-1	11N	15,875	x		x	x		10,16	9,65	19,0	5,30	31,75	41,00	10,60	13,80	.	1,60
<b>M1 attachment M1 on OUTER link</b>																	
08B-1	7N	12,7	x	x	x	x	(1)	8,51	7,75	16,6	4,30	12,70	10,70	19,00	25,10	11,45	1,30
10B-1	11N	15,875	x	x	x	x	(1)	10,16	9,65	19,0	5,30	15,90	13,80	23,00	30,05	13,30	1,60
12B-1	13N	19,05	x		x	x	(1)	12,07	11,68	22,3	7,12	22,20	16,50	32,45	40,75	15,75	1,80
<b>M1 attachment M1 on INNER link</b>																	
08B-1	7N	12,7	x		x	x		8,51	7,75	16,6	4,30	12,70	10,70	19,00	25,10	7,75	1,60
10B-1	11N	15,875	x		x	x		10,16	9,65	19,0	5,30	15,90	13,80	23,00	30,05	9,65	1,60
12B-1	13N	19,05	x		x	x		12,07	11,68	22,3	7,12	22,20	16,50	32,45	40,75	11,68	1,80
<b>K2 attachment on OUTER link</b>																	
12B-1	13N	19,05	x		x	x	(1)	12,07	11,68	22,3	5,52	34,90	52,00	11,70	35,10	19,05	1,80
<b>K2 attachment on INNER link</b>																	
12B-1	13N	19,05	x		x	x		12,07	11,68	22,3	5,52	34,90	48,50	11,70	35,10	19,05	1,80
<b>M2 attachment on OUTER link</b>																	
12B-1	13N	19,05	x		x	x	(1)	12,07	11,68	22,3	5,6	17,65	35,1	26,15	34,45	19,05	1,80

(1): References in Lub Free. In DELTA® VERTE please consult us

To know the chains' UTS, see tables on pages 18 & 20

# CHAINS WITH SPECIAL ATTACHMENTS TYPE "Z"

Attachments with long holes fitted with chains which complies with ISO 606

## APPLICATIONS

Conveyors, mounting on transport systems using 2 chains in parallel.

MATCHING POSSIBLE FOR HIGHER ACCURACY

DESPATCH POSSIBLE WITHIN 48 HOURS

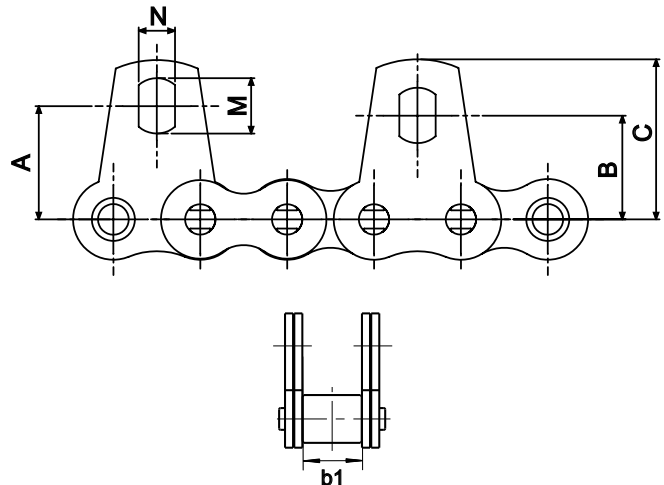
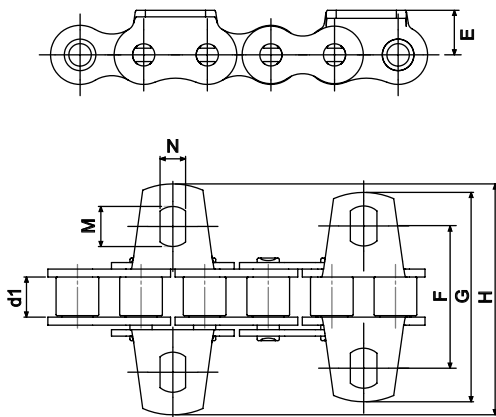
for highlighted references

50M MAXIMUM (consult us)



K1\*

M1



Dimensions in mm

References		Pitch mm	SEDIS RANGE					d1 max.	b1 min.	Over riveted pins max.	A nom.	B nom.	C nom.	E nom.	F nom.	G max.	H max.	M min.	N min.
ISO 606	SEDIS		ALPHA Premium	ALPHA Premium INOX	DELTA® HR	DELTA TITANIUM2	VERTE												
<b>K1 attachment on OUTER link</b>																			
08B-1	7N	12,7	x	x	x	x	(1)	8,51	7,75	16,6				9,2	28,5	42	45,3	8	5,2
<b>K1 attachment on INNER link</b>																			
08B-1	7N	12,7	x	x	x	x		8,51	7,75	16,6				9,2	28,5	42	45,3	8	5,2
<b>M1 attachment on OUTER link</b>																			
08B-1	7N	12,7	x	x	x	x	(1)	8,51	7,75	16,6	16,6	15,2	23,4	9,2	28,5	42	45,3	8	5,2
<b>M1 attachment on INNER link</b>																			
08B-1	7N	12,7	x	x	x	x		8,51	7,75	16,6	16,6	15,2	23,4	9,2	28,5	42	45,3	8	5,2

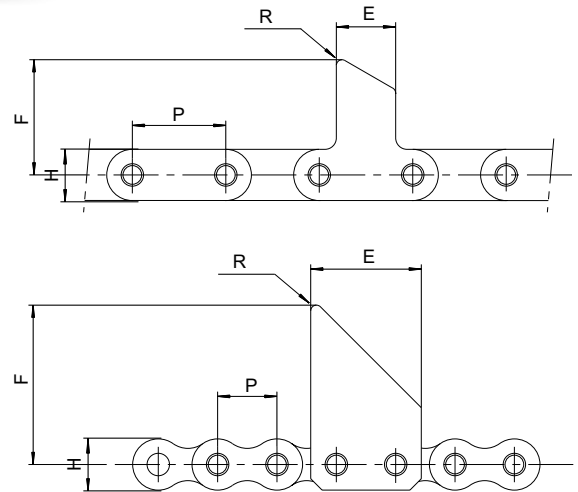
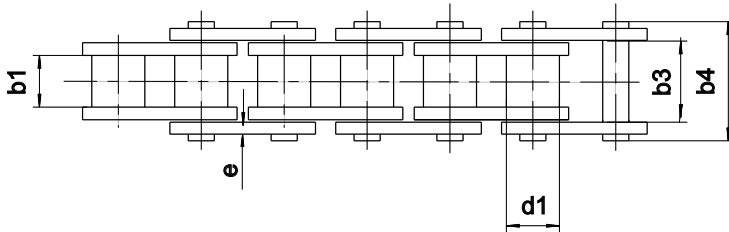
(1): References in Lub Free. In DELTA® VERTE please consult us

To know the chains' UTS, see tables on pages 18 & 20

\* Assembly of K1 attachments every 2 pitches minimum

# ANGLED VERTICAL PLATE CHAINS

## EXAMPLES OF MANUFACTURING



Dimensions in mm

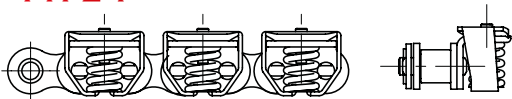
Reference	P	d1 max.	b1 min.	b3 min.	b4 max.	e	E	F max.	H min.	R	Breaking load kN
<b>Straight side plates</b>											
5310-04	63,5	25,40	25,33	38,05	53,1	5,2	50	76	32,0	4	180
5310-05	63,5	25,40	25,33	38,05	53,1	5,2	50	134	32,0	4	180
<b>Waisted plates</b>											
17T	31,75	19,05	19,42	29,15	40,5	3,7	58	82	25,4	3	105
18T	38,1	25,40	25,33	38,05	53,1	5,2	75	76	33,5	4	180

DELTA®, DELTA® TITANIUM and DELTA® VERTE versions are also available

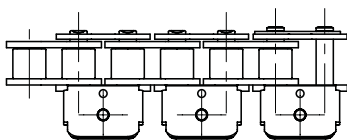
All shapes and dimensions possible. Please consult us.

# GRIPPER CHAINS

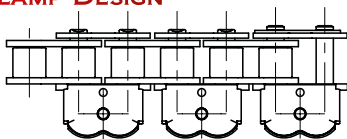
## TYPE 1



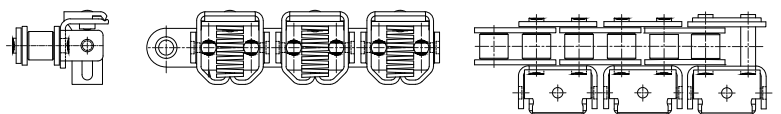
### STRAIGHT CLAMP DESIGN



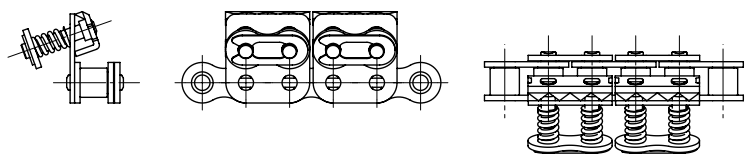
### HEART CLAMP DESIGN



## TYPE 2



## TYPE 3



- Springs available with 50N or 100N resistance
- Different shapes of stainless steel grippers available
- Delta® Titanium 2 or nickel-plated versions
- Pitches of 12.7mm and of 15.875mm

Large range of gripper chains. Please consult us.



**APPLICATIONS**

These chains are usually used for small conveyors using two chains moving on a rail guided by rollers and vertical lugs.



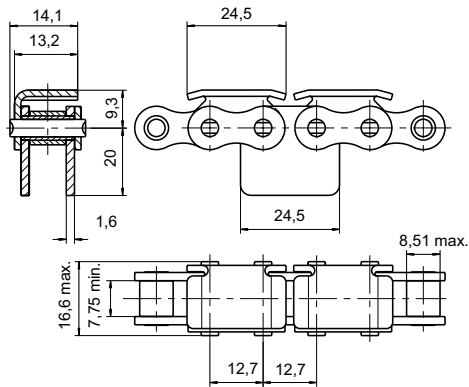
This type of chain is ideal for conveying components which can be accumulated on the conveyor, the chain continuing movement while the parts slide on the "flanged" attachments.

E.g. conveying motor vehicle parts.

Duplex and triplex chains also available

**CHAIN 7N (O8B-1) (DRAWING: 5272-70)**

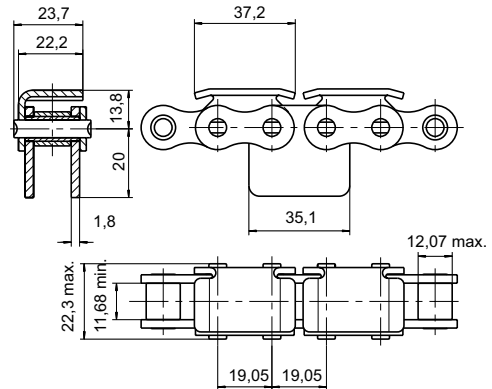
UTS min. = 18.2 kN



Vertical guide plates on request

**CHAIN 13N (12B-1) (DRAWING 5268-27)**

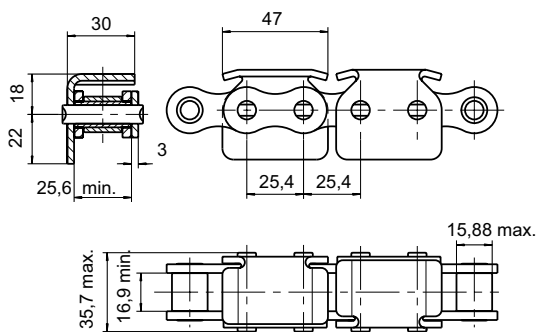
UTS min. = 30.5 kN



Vertical guide plates on request

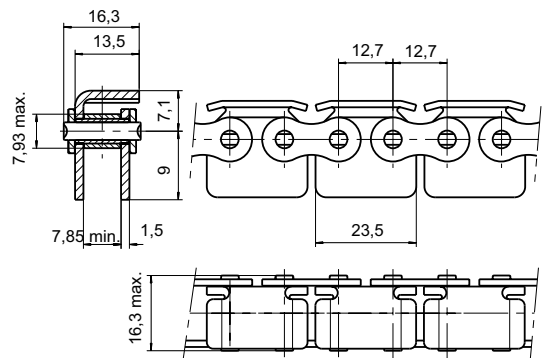
**CHAIN 15T (16B-1) (DRAWING 5288-03)**

UTS min. = 66 kN



**CHAIN 40-1 (O8A-1) (DRAWING 5415-08)**

UTS min. = 16.5 kN



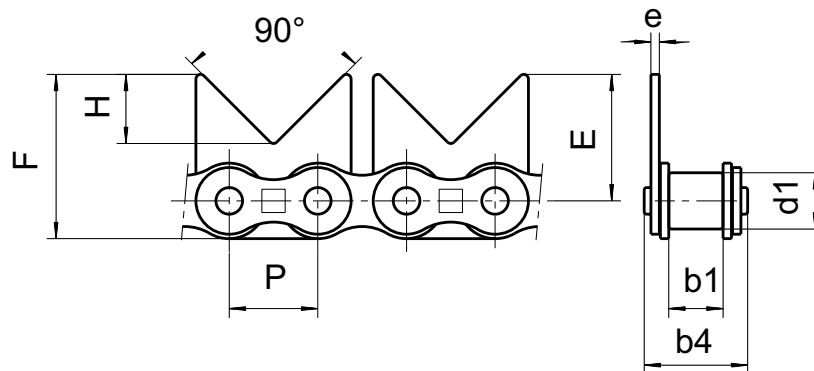
**CHAINS WITH V-SHAPED PLATES** - Derived from ISO 606

**APPLICATIONS**

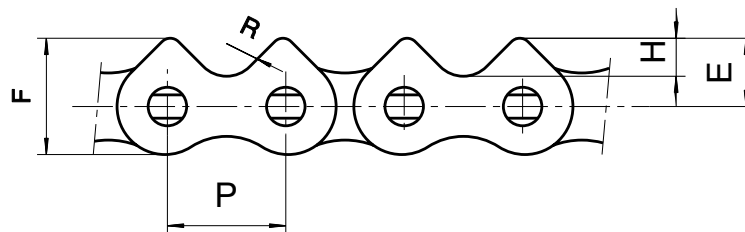
Conveying of cylindrical parts placed directly on the "V" plates.



**TYPE 1**



**TYPE 2**



Dimensions in mm

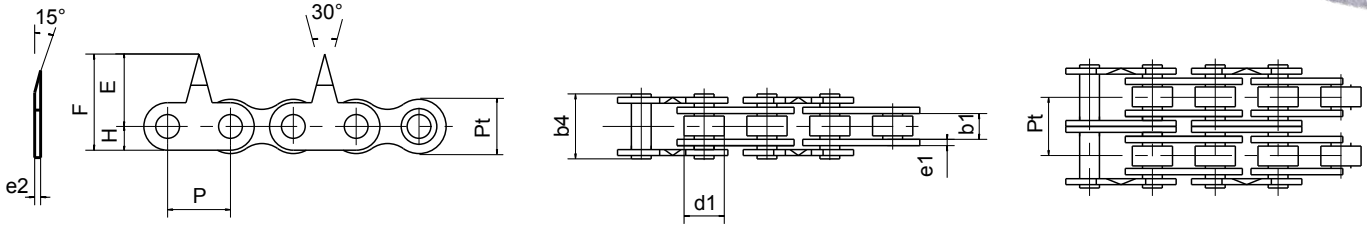
References		Pitch  P	VERSIONS			d1  max.	b1  min.	b4  max.	V type	e	E	F	H	R	Breaking load  kN
ISO 606	SEDIS		ALPHA Premium	DELTA® HR	DELTA TITANIUM 2										
081	4L	12,7	x	x	x	7,70	3,30	8,65	1	1,2	16,25	21,25	11,0		8,0
	5T	12,7	x			7,76	5,00	12,30	1	1,0	16,25	20,35	11,0		11,6
12 B-1	13N	19,05	x	x	x	12,07	11,68	22,30	1	1,8	28,00	36,00	16,0		30,5
16 B-1	15T	25,4	x	x	x	15,88	17,02	35,10	2	3,0	14,50	24,80	6,5	7	66,0
20 B-1	17T	31,75	x	x	x	19,05	19,56	40,50	2	3,9	18,10	30,70	8,6	10	105,0
32B-1	22T	50,80	x	x	x	29,21	30,95	70,10	2	6,0	30,00	51,05	16,1	13	270,0

APPLICATIONS

These chains are usually used for feeding plastic sheets on thermoforming machines and bubble packing machines.



MATCHING POSSIBLE FOR HIGHER ACCURACY



Dimensions in mm

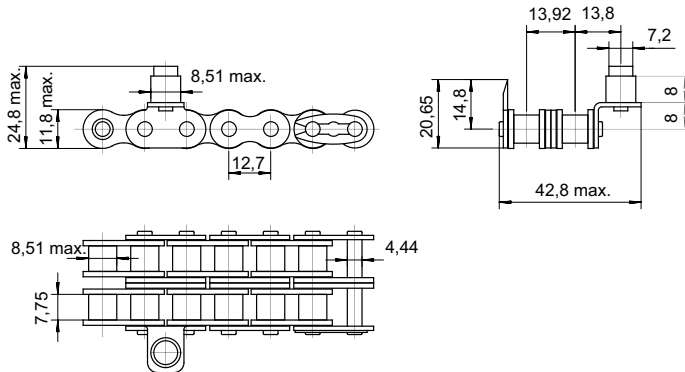
References		Pitch P	SEDIS RANGE				d1 max.	b1 min.	b4	Pt	e1	e2	E	F	G	H
ISO 606	SEDIS		ALPHA Premium	DELTA® HR	DELTA TITANIUM 2	VERTE										
<b>BS standard chains (European series)</b>																
08B-1	7N	12,7	x	x	x	(1)	8,51	7,75	16,60	13,92	1,6	1,5	14,5	20,4	11,8	5,9
10B-1	11N	15,875	x	x	x	(1)	10,16	9,65	19,00	16,59	1,6	1,5	16,0	22,2	13,7	6,0
<b>Narrow width BS standard chains - (European series)</b>																
	6N	12,7	x	x	x		8,51	5,35	14,10		1,6	1,5	14,5	20,4	11,8	5,9
	10N	15,875	x	x	x		10,16	6,50	16,60		1,6	1,5	16,0	22,2	13,7	6,0
<b>ANSI standard chains (American series)</b>																
08A-1	40-1	12,7	x	x	x		7,93	7,85	16,30	14,38	1,6	1,5	14,5	20,4	11,5	5,9
10A-1	50-1	15,875	x	x	x		10,16	9,65	20,85	18,11	2,0	2,0	16,4	23,2	13,7	6,8

- The spike attachments are fitted on outer links at spaces to be specified on the order, on one or both sides
- The spike attachment can be with a sharp or rounded end.
- For chains like 7N, 11N and 40, fitting is possible on duplex and triplex chains.
- For dimension b4, add 1 or 2 transverse pitches Pt.
- To know chains UTS, see tables on pages 18 to 21.

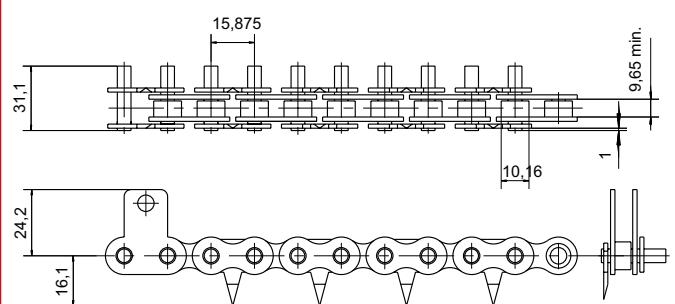
(1): References in Lub Free. In DELTA® VERTE please consult us

EXAMPLES OF SPIKED CHAINS

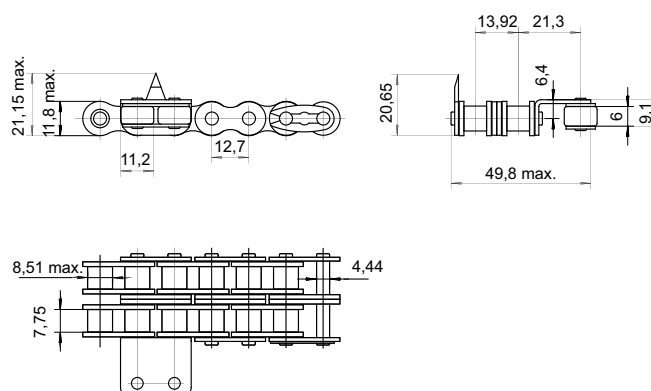
12,7mm chain pitch according to our drawing: 5083-84



15,875mm chain pitch according to our drawing: 5273-40



12,7mm chain pitch according to our drawing: 5083-82



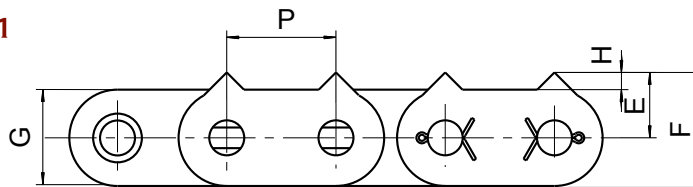
**SPIKE PLATE CHAINS** - Derived from ISO 606

**APPLICATIONS**

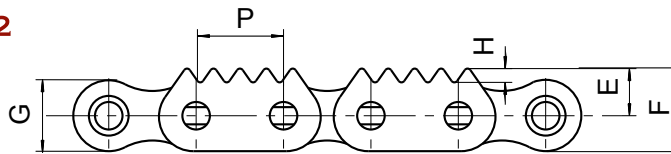
These chains are generally used in the wood industry. e.g. conveying wood planks.



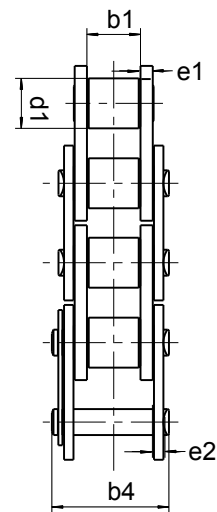
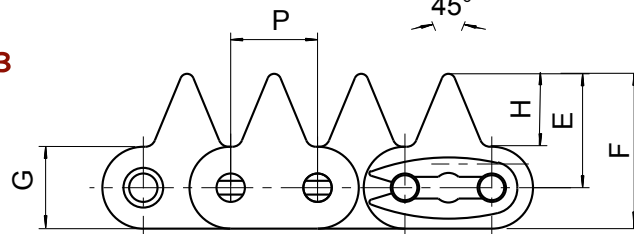
**TYPE 1**



**TYPE 2**



**TYPE 3**



Dimensions in mm

References		Pitch P	SEDIS RANGE			Spike type	d1 max.	b1 min.	b4 max.	e1	e2	E	F	G	H	Breaking load kN
ISO 606	SEDIS		ALPHA Premium	DELTA® HR	DELTA TITANIUM 2											
16 B-1	15T	25,4	x	x	x	2	15,88	17,02	35,1	3,9	3,0	13,7	24,0	20,6	4	66
16 B-1	15T	25,4	x	x	x	3	15,88	17,02	35,1	3,9	3,0	33,3	45,2	23,8	21,4	66
20 B-1	17T	31,75	x	x	x	1	19,05	19,56	40,5	4,5	3,5	19,0	33,0	28,0	5	105

- In duplex and triplex chain for 15T (16B-1) and 17T (20B-1): consult us.

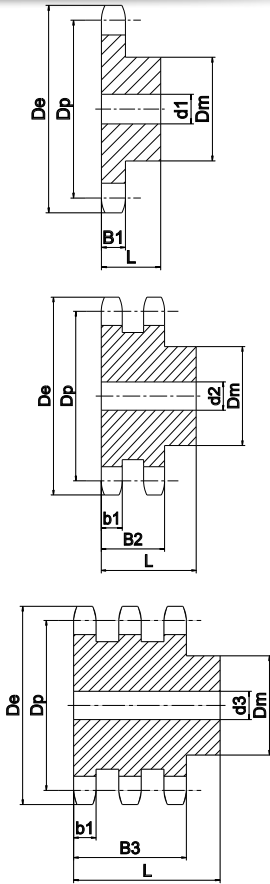
Many other versions possible. Do not hesitate to consult our specific Wood Industry brochure for more details.

# WHEELS & SPROCKETS

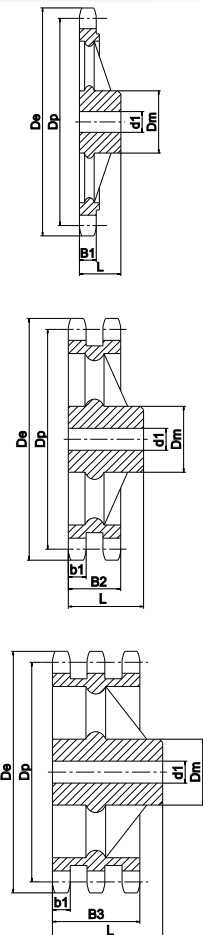
Sprockets: manufactured in steel from 12 to 38 teeth (Z)

An unrivaled combination: a chain of quality with a SEDIS sprocket

Dimensions in mm



Chainwheels: manufactured in cast iron ≥ to 45 teeth (Z)



Pitch mm	Z	Reference	Dp	De	SIMPLEX			DUPLEX			TRIPLEX					
					d1 (1)	Dm (1)	L (1)	d2 (1)	Dm (1)	L (1)	d3 (1)	Dm (1)	L (1)			
9,525	8	P..06B008	24,89	28,0	8	15	22	6	15	22	6	15	32			
	9	P..06B009	27,85	31,0	8	18	22	8	18	22	8	18	32			
	10	P..06B010	30,82	34,0	8	20	22	8	20	22	10	20	32			
	11	P..06B011	33,8	37,0	8	22	25	10	22	25	10	22	35			
	12	P..06B012	36,80	40,0	8	25	25	10	25	25	10	25	35			
	13	P..06B013	39,80	43,0	10	28	25	10	28	25	10	28	35			
	14	P..06B014	42,80	46,3	10	31	25	10	31	25	12	31	35			
	15	P..06B015	45,81	49,3	10	34	25	10	34	25	12	34	35			
	16	P..06B016	48,82	52,3	10	37	28	12	37	30	12	37	35			
	17	P..06B017	51,83	55,3	10	40	28	12	40	30	12	40	35			
	Width of teeth	b1	5,2	18	P..06B018	54,85	58,3	10	43	28	12	43	30	12	43	35
				19	P..06B019	57,87	61,3	10	45	28	12	46	30	12	46	35
		B1	5,3	20	P..06B020	60,89	64,3	10	46	28	12	49	30	12	49	35
				21	P..06B021	63,91	68,0	12	48	28	12	52	30	14	52	40
		B2	15,4	22	P..06B022	66,93	71,0	12	50	28	12	55	30	14	55	40
				23	P..06B023	69,95	73,5	12	52	28	12	58	30	14	58	40
		B3	25,6	24	P..06B024	72,97	77,0	12	54	28	12	61	30	14	61	40
25				P..06B025	76,00	80,0	12	57	28	12	64	30	14	64	40	
26		P..06B026	79,02	83,0	12	60	28	12	67	30	14	67	40			
27		P..06B027	82,04	86,0	12	60	28	12	70	30	14	70	40			
28		P..06B028	85,07	89,0	12	60	28	12	73	30	14	73	40			
29		P..06B029	88,09	92,0	12	60	28	12	76	30	14	76	40			
30		P..06B030	91,12	94,7	12	60	30	12	79	30	14	79	40			
38	P..06B038	115,34	119,5	16	70	30	16	90	30	16	90	40				
45 *	F..06B045	136,54	140,7	20	70	32	20	80	40	24	90	56				
57 *	F..06B057	172,91	176,9	20	70	32	20	80	40	24	90	56				
76 *	F..06B076	230,49	234,9	20	70	32	20	80	40	24	100	56				
95 *	F..06B095	288,08	292,5	20	80	40	20	90	45	24	100	56				
114 *	F..06B114	345,68	349,6	20	80	40	20	95	45	24	100	56				
150 *	F..06B150	454,8	459,2	24	90	45	24	100	50	24	125	60				
12,7	8	P..08B008	33,18	37,2	10	20	25	10	20	32	10	20	46			
	9	P..08B009	37,13	41,0	10	24	25	10	24	32	12	24	46			
	10	P..08B010	41,10	45,2	10	26	25	10	28	32	12	28	46			
	11	P..08B011	45,07	48,7	10	29	25	12	32	35	14	32	50			
	12	P..08B012	49,07	53,0	10	33	28	12	35	35	14	35	50			
	13	P..08B013	53,06	57,4	10	37	28	12	38	35	14	38	50			
	14	P..08B014	57,07	61,8	10	41	28	12	42	35	14	42	50			
	15	P..08B015	61,09	65,5	10	45	28	12	46	35	14	46	50			
	16	P..08B016	65,10	69,5	12	50	28	14	50	35	16	50	50			
	17	P..08B017	69,11	73,6	12	52	28	14	54	35	16	54	50			
	18	P..08B018	73,14	77,8	12	56	28	14	58	35	16	58	50			
	Width of teeth	b1	7,0	19	P..08B019	77,16	81,7	12	60	28	14	62	35	16	62	50
				20	P..08B020	81,19	86,8	12	64	28	14	66	35	16	66	50
		B1	7,2	21	P..08B021	85,22	89,7	14	68	28	16	70	40	20	70	55
				22	P..08B022	89,24	93,8	14	70	28	16	70	40	20	70	55
		B2	21,0	23	P..08B023	93,27	98,2	14	70	28	16	70	40	20	70	55
				24	P..08B024	97,29	101,8	14	70	28	16	75	40	20	75	55
B3		34,9	25	P..08B025	101,33	105,8	14	70	28	16	80	40	20	80	55	
			26	P..08B026	105,36	110,0	16	70	30	16	85	40	20	85	55	
27		P..08B027	109,40	114,0	16	70	30	16	85	40	20	85	55			
28		P..08B028	113,42	118,0	16	70	30	16	90	40	20	90	55			
29		P..08B029	117,76	120,0	16	80	30	16	95	40	20	95	55			
30		P..08B030	121,50	126,4	16	80	30	16	100	40	20	100	55			
38		P..08B038	153,8	158,6	16	90	35	20	110	40	25	120	55			
45 *	F..08B045	182,07	188,6	24	70	40	24	90	50	24	100	60				
57 *	F..08B057	230,54	236,4	24	70	40	24	90	50	24	100	60				
76 *	F..08B076	307,33	313,3	24	80	40	24	100	56	24	100	60				
95 *	F..08B095	384,11	390,7	24	80	45	24	100	56	24	120	67				
114 *	F..08B114	460,9	466,9	24	90	45	24	100	63	24	120	67				

(1): reference dimensions only - consult us if necessary

\*: Cast iron wheels

.. 1 for simplex / 2 for duplex / 3 for triplex

Dimensions in mm

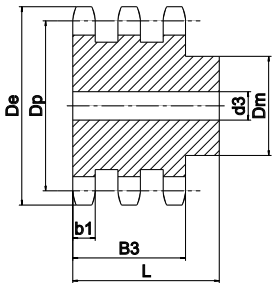
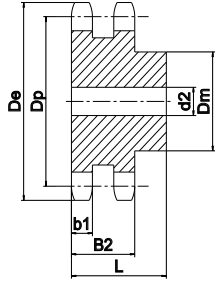
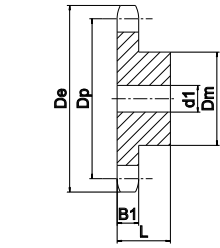
**Sprockets: manufactured in steel from 12 to 38 teeth (Z)**

Pitch mm	Z	Reference	Dp	De	SIMPLEX			DUPLEX			TRIPLEX					
					d1 (1)	Dm (1)	L (1)	d2 (1)	Dm (1)	L (1)	d3 (1)	Dm (1)	L (1)			
15,875	8	P..10B008	41,48	48	10	25	25	12	25	40	12	25	55			
	9	P..10B009	46,42	52,6	10	30	25	12	30	40	12	30	55			
	10	P..10B010	51,37	57,5	10	35	25	12	35	40	16	35	55			
	11	P..10B011	56,34	63	12	37	30	14	39	40	16	39	55			
	12	P..10B012	61,34	68	12	42	30	14	44	40	16	44	55			
	13	P..10B013	66,32	73	12	47	30	14	49	40	16	49	55			
	14	P..10B014	71,34	78	12	52	30	14	54	40	16	54	55			
	15	P..10B015	76,36	83	12	57	30	14	59	40	16	59	55			
	16	P..10B016	81,37	88	12	60	30	16	64	45	16	64	60			
	17	P..10B017	86,39	93	12	60	30	16	69	45	16	69	60			
	18	P..10B018	91,42	98,3	14	70	30	16	74	45	16	74	60			
	Width of teeth	b1	9,0	19	P..10B019	96,45	103,3	14	70	30	16	79	45	16	79	60
				20	P..10B020	101,49	108,4	14	75	30	16	84	45	16	84	60
		B1	9,1	21	P..10B021	106,52	113,4	16	75	30	16	85	45	20	85	60
				22	P..10B022	111,55	118	16	80	30	16	90	45	20	90	60
				23	P..10B023	116,58	123,5	16	80	30	16	95	45	20	95	60
		B2	25,5	24	P..10B024	121,62	128,3	16	80	30	16	100	45	20	100	60
25				P..10B025	126,66	134	16	80	30	16	105	45	20	105	60	
B3		42,1	26	P..10B026	131,7	139	20	85	35	20	110	45	20	110	60	
			27	P..10B027	136,75	144	20	85	35	20	110	45	20	110	60	
			28	P..10B028	141,78	148,7	20	90	35	20	115	45	20	115	60	
			29	P..10B029	146,83	153,8	20	90	35	20	115	45	20	115	60	
19,05	30	P..10B030	151,87	158,8	20	90	35	20	120	45	20	120	60			
	38	P..10B038	192,24	199,2	20	100	35	20	120	45	25	120	60			
	45 *	F..10B045	227,58	235	24	80	40	30	100	50	32	100	60			
	57 *	F..10B057	288,18	296	24	90	45	30	100	56	32	100	63			
	76 *	F..10B076	384,16	392,1	24	90	50	30	100	63	35	110	67			
	95 *	F..10B095	480,14	488,5	24	100	56	30	110	63	35	125	70			
	114 *	F..10B114	576,13	584,1	24	100	56	30	125	70	35	125	80			
	19,05	8	P..12B008	49,78	57,6	12	31	30	12	31	45	16	31	65		
		9	P..12B009	55,7	62	12	37	30	12	37	45	16	37	65		
		10	P..12B010	61,64	69	12	42	30	12	42	45	16	42	65		
		11	P..12B011	67,61	75	14	46	35	16	47	50	20	47	70		
12		P..12B012	73,6	81,5	14	52	35	16	53	50	20	53	70			
13		P..12B013	79,59	87,5	14	58	35	16	59	50	20	59	70			
14		P..12B014	85,61	93,6	14	64	35	16	65	50	20	65	70			
15		P..12B015	91,63	99,8	14	70	35	16	71	50	20	71	70			
16		P..12B016	97,65	105,5	16	75	35	20	77	50	20	77	70			
17		P..12B017	103,67	111,9	16	80	35	20	83	50	20	83	70			
Width of teeth		b1	10,8	18	P..12B018	109,71	118	16	80	35	20	89	50	20	89	70
				19	P..12B019	115,75	124,2	16	80	35	20	95	50	20	95	70
		B1	11,1	20	P..12B020	121,78	129,7	16	80	35	20	100	50	20	100	70
				21	P..12B021	127,82	136	20	90	40	20	100	50	20	100	70
				22	P..12B022	133,86	141,8	20	90	40	20	100	50	20	100	70
		B2	30,3	23	P..12B023	139,9	149	20	90	40	20	110	50	20	110	70
				24	P..12B024	145,94	153,9	20	90	40	20	110	50	20	110	70
	B3	49,8	25	P..12B025	152	160	20	90	40	20	120	50	20	120	70	
			26	P..12B026	158,04	165,9	20	95	40	20	120	50	20	120	70	
			27	P..12B027	164,09	172,3	20	95	40	20	120	50	20	120	70	
			28	P..12B028	170,13	178	20	95	40	20	120	50	20	120	70	
19,05	29	P..12B029	176,19	184,1	20	95	40	20	120	50	20	120	70			
	30	P..12B030	182,25	190,5	20	95	40	20	120	50	20	120	70			
	38	P..12B038	230,69	239	20	100	40	25	120	50	25	130	70			
	45 *	F..12B045	273,1	282,5	24	100	56	30	110	63	30	140	70			
	57 *	F..12B057	345,81	354	30	100	56	30	120	63	40	140	70			
	76 *	F..12B076	460,99	469,9	30	100	56	30	135	63	40	160	75			
95 *	F..12B095	576,17	585,1	30	100	65	30	135	70	40	170	82				
114 *	F..12B114	691,36	700,6	30	100	65	30	135	70	50	170	82				

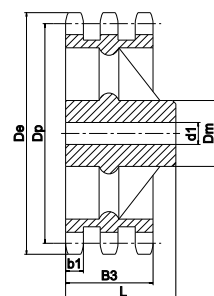
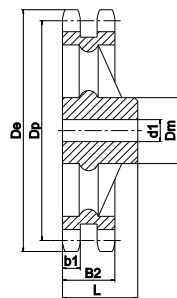
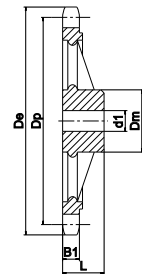
(1): reference dimensions only - consult us if necessary

\*: Cast iron wheels

.. 1 for simplex / 2 for duplex / 3 for triplex

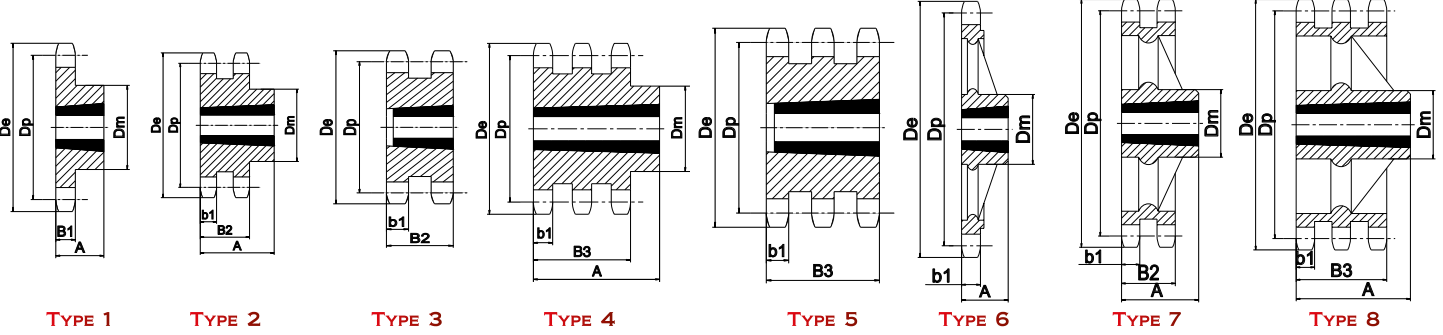


**Chainwheels: manufactured in cast iron ≥ to 38 teeth (Z)**







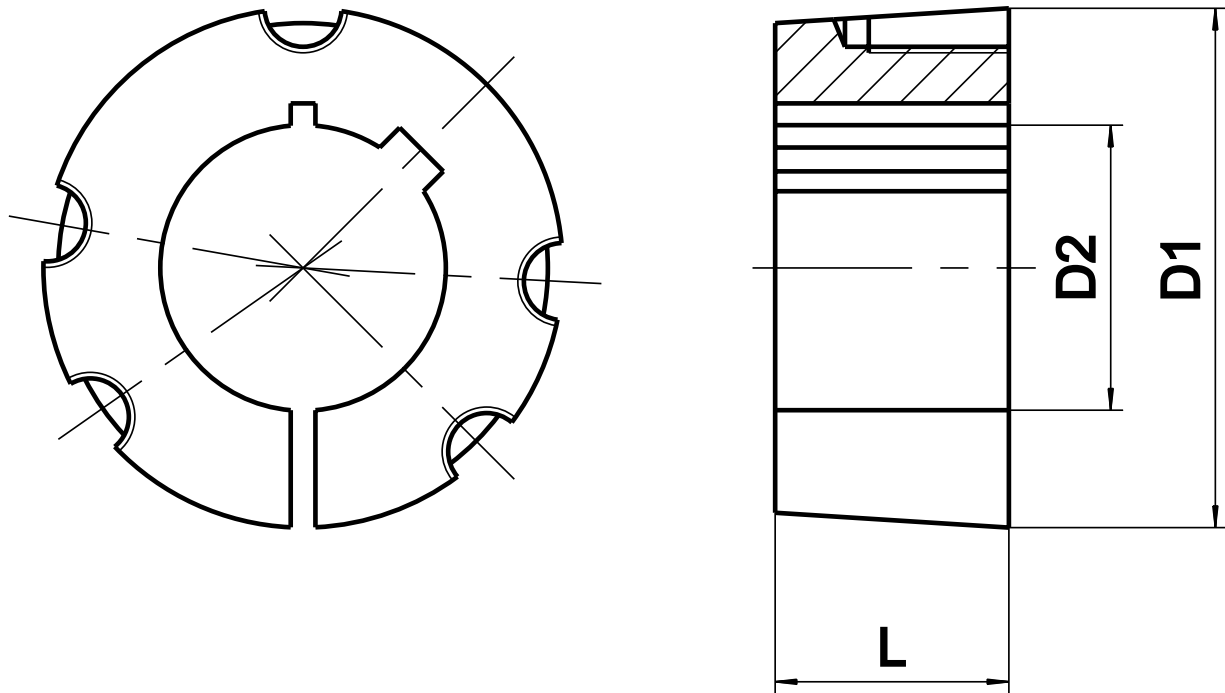


Dimensions in mm

Z	Reference	De	Dp	SIMPLEX			DUPLEX			TRIPLEX						
				Dm	A	Bush	Type	Dm	A	Bush	Type	Dm	A	Bush	Type	
<b>06B-1, -2, -3</b> 9,525 x 5,72 mm	17	P..MA06B017	55,5	51,83	44	22	10 08	1	42,5	22,0	10 08	2	25,6	10 08	5	
	19	P..MA06B019	61,6	57,87	46	22	10 08	1	47	22,0	10 08	2	25,6	10 08	5	
	21	P..MA06B021	67,6	63,91	46	22	10 08	1	49	22,0	10 08	2	25,6	10 08	5	
	23	P..MA06B023	73,7	69,95	62	25	12 10	1	59	25,0	12 10	2	25,6	12 10	5	
	25	P..MA06B025	79,7	76,00	63	25	12 10	1	65	25,0	12 10	2	25,6	12 10	5	
	Width of teeth	B1	5,3													
		b1	5,2													
		B2	15,4													
		B3	25,6													
	*57	F..MA06B057	177,5	172,91	83	25	12 10	6	89	25,0	16 10	7	90	38,0	16 15	4
	*76	F..MA06B076	235,1	230,49	83	25	12 10	6	89	25,0	16 10	7				
<b>08B-1, -2, -3</b> 12,7 x 7,75 mm	15	P..MA08B015	66,5	61,09	46	22	10 08	1	46	22,0	10 08	2	34,9	10 08	5	
	17	P..MA08B017	74,5	69,11	59	25	12 10	1	56	25,0	12 10	2	34,9	12 10	5	
	19	P..MA08B019	82,5	77,16	63	25	12 10	1	62	25,0	12 10	2	62	38,0	12 15	4
	21	P..MA08B021	90,6	85,22	71	25	16 10	1	70	25,0	16 10	2	70	38,0	16 15	4
	23	P..MA08B023	98,7	93,27	76	25	16 10	1	79	25,0	16 10	2	70	38,0	16 15	4
	Width of teeth	B1	7,2													
		b1	7,0													
		B2	21,0													
		B3	34,9													
	25	P..MA08B025	106,7	101,33	76	25	16 10	1	87	32,0	20 12	2	34,9	20 12	5	
	27	P..MA08B027	114,8	109,40	76	25	16 10	1	87	32,0	20 12	2	34,9	20 12	5	
30	P..MA08B030	126,9	121,50	90	32	20 12	1	87	32,0	20 12	2	34,9	20 12	5		
38	P..MA08B038	159,2	153,80	102	32	20 12	1	100	32,0	20 12	2	34,9	20 12	5		
*57	F..MA08B057	237,1	230,54	111	32	20 12	6	111	32,0	20 12	7					
*76	F..MA08B076	313,9	307,33	111	32	20 12	6	111	32,0	20 12	7					
<b>10B-1, -2, -3</b> 15,875 x 9,65 mm	13	P..MA10B013	73,2	66,32	46	22	10 08	1								
	15	P..MA10B015	83,2	76,36	63	25	12 10	1	25,5	12 10	3	42,1	12 15	5		
	17	P..MA10B017	93,3	86,39	71	25	16 10	1	25,5	16 10	3	42,1	12 15	5		
	19	P..MA10B019	103,3	96,45	76	25	16 10	1	25,5	16 10	3	42,1	16 15	5		
	21	P..MA10B021	113,4	106,52	76	25	16 10	1	25,5	16 10	3	42,1	16 15	5		
	23	P..MA10B023	123,5	116,58	76	25	16 10	1	25,5	16 10	3	42,1	20 12	5		
	Width of teeth	B1	9,1													
		b1	9,0													
		B2	25,5													
		B3	42,1													
	25	P..MA10B025	133,6	126,66	90	32	20 12	1	90	32,0	20 12	2	105	44,0	25 17	4
27	P..MA10B027	143,6	136,75	90	32	20 12	1	90	32,0	20 12	2	110	44,0	25 17	4	
30	P..MA10B030	158,8	151,87	102	32	20 12	1	90	32,0	20 12	2	120	44,0	25 17	4	
38	P..MA10B038	199,1	192,24	100	32	20 12	1									
*57	F..MA10B057	296,6	288,18	111	32	20 12	6									
*76	F..MA10B076	392,5	384,16	111	32	20 12	6									
<b>12B-1, -2, -3</b> 19,05 x 11,68 mm	13	P..MA12B013	87,8	79,59	63	25	12 10	1								
	15	P..MA12B015	99,8	91,63	71	25	16 10	1	71	38,0	16 10	3	49,8	16 15	5	
	17	P..MA12B017	111,9	103,67	76	25	16 10	1	80	38,0	16 10	3	49,8	20 12	5	
	19	P..MA12B019	123,9	115,75	90	32	20 12	1	90	32,0	20 12	2	49,8	20 12	5	
	21	P..MA12B021	136	127,82	102	45	25 17	1	108	45,0	25 17	2	49,8	25 17	5	
	23	P..MA12B023	148,1	139,90	108	45	25 17	1	108	45,0	25 17	2	49,8	25 17	5	
	Width of teeth	B1	11,1													
		b1	10,8													
		B2	30,3													
		B3	49,8													
	25	P..MA12B025	160,2	152,00	108	45	25 17	1	108	45,0	25 17	2	49,8	25 17	5	
27	P..MA12B027	172,3	164,09	108	45	25 17	1	108	45,0	25 17	2	144	51,0	30 20	4	
30	P..MA12B030	190,4	182,25	108	45	25 17	1	108	45,0	25 17	2	143	51,0	30 20	4	
38	P..MA12B038	238,9	230,39	124	45	25 17	1	140	51,0	30 20	2	152	51,0	30 20	4	
*57	F..MA12B057	355,9	345,81	124	45	25 17	6	160	51,0	30 20	7	159	51,0	30 20	8	
*76	F..MA12B076	471,1	460,99	124	45	25 17	6	160	51,0	30 20	7					
<b>16B-1, -2, -3</b> 25,4 x 17,02 mm	13	P..MA16B013	117,7	106,12	73	38	16 15	1								
	15	P..MA16B015	133,7	122,17	76	38	16 15	1	47,7	20 12	3					
	17	P..MA16B017	149,8	138,22	90	32	20 12	1	47,7	25 17	3	79,6	25 17	5		
	19	P..MA16B019	165,9	154,33	108	45	25 17	1	47,7	25 17	3	79,6	30 30	5		
	21	P..MA16B021	182	170,43	108	44	25 17	1	143	51,0	30 20	2	79,6	30 30	5	
	23	P..MA16B023	198,1	186,53	108	44	25 17	1	159	51,0	30 20	2	159	89,0	35 35	4
	Width of teeth	B1	16,2													
		b1	15,8													
		B2	47,7													
		B3	79,6													
	25	P..MA16B025	214,2	202,66	108	44	25 17	1	175	51,0	30 20	2	175	89,0	35 35	4
27	P..MA16B027	230,4	218,79	108	44	25 17	1	175	51,0	30 20	2	175	89,0	35 35	4	
30	P..MA16B030	254,6	243,00	159	51	30 20	1	175	76,0	30 30	2	175	89,0	35 35	4	
*38	P..MA16B038	319,2	307,59	159	51	30 20	6	146	76,0	30 30	7	178	89,0	35 35	8	
*57	F..MA16B057	474,9	461,07	159	51	30 20	6	178	89,0	35 35	7	216	102,0	40 40	8	
*76	F..MA16B076	628,4	614,65	159	51	30 20	6									
<b>20B-1</b> 31,75 x 19,56 mm	13	P..MA16B013	147,5	132,65	90	32	20 12	1								
	15	P..MA16B015	167,7	152,72	108	44	25 17	1								
	17	P..MA16B017	187,8	172,78	108	44	25 17	1								
	19	P..MA16B019	207,9	192,91	108	44	25 17	1								
	Width of teeth	B1	18,5													
		b1	18,2													
		B2	54,6													
		B3	91,0													
	21	P..MA16B021	228	213,04	108	44	25 17	1								
	23	P..MA16B023	248,2	233,17	108	44	25 17	1								
25	P..MA16B025	268,4	253,33	108	44	25 17	1									
27	P..MA16B027	288,5	273,48	150	51	30 20	1									
30	P..MA16B030	318,7	303,75	150	51	30 20	1									

\* Cast iron wheels  
.. 1 for simplex / 2 for duplex / 3 for triplex

TAPER BUSHES



References	D2	L	D1
10 08	11 12 14 16 18 19 20 22 24 25*	20,1	35
11 08	11 12 14 16 18 19 20 22 24 25 28*	22,3	38
12 10	12 14 16 18 19 20 22 24 25 28 30 32*	25,4	47
12 15	12 14 16 18 19 20 22 24 25 28 30 32*	38,1	47
16 10	12 14 16 18 19 20 22 24 25 28 30 32 35 38 40 42*	25,4	57
16 15	12 14 16 18 19 20 22 24 25 28 30 32 35 38 40 42*	38,1	57
20 12	16 18 19 20 22 24 25 26 28 30 32 35 38 40 42 45 48 50	38,1	70
25 17	18 19 20 22 24 25 26 28 30 32 35 38 40 42 45 48 50 55 60 65	44,5	85
30 20	25 28 30 32 35 38 40 42 45 48 50 55 60 65 70 75	50,8	108
30 30	45 48 50 55 60 65 70 75	76,2	108
35 35	45 48 50 55 60 65 70 75 80 85 90	88,9	127
40 40	55 60 65 70 75 80 85 90 95 100	101,6	146
50 50	70 75 80 85 90 95 100 105 110 115 120 125	125,0	178

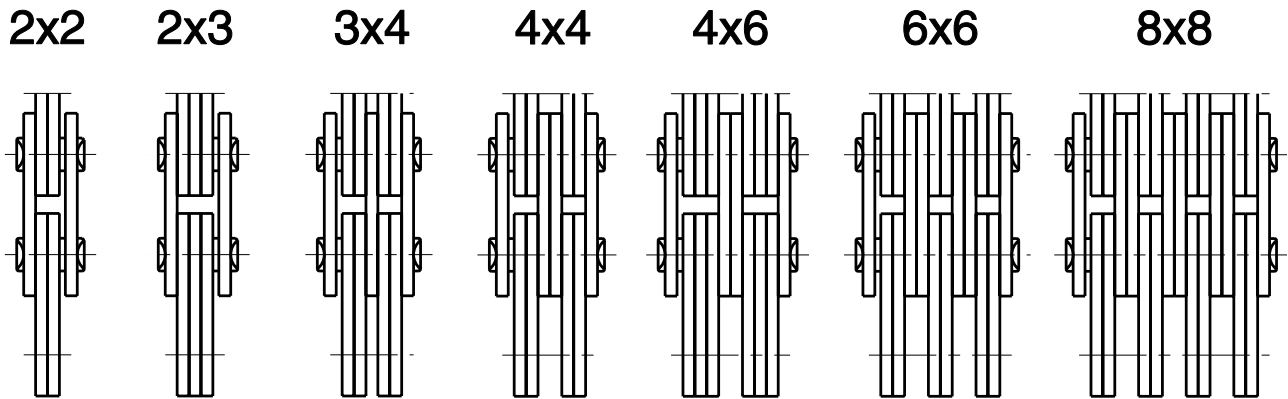
\* REDUCED KEY WAY

**MANUFACTURING OF SPECIAL SPLIT SPROCKETS.  
ALL DIMENSIONS ON REQUEST.  
PLEASE CONSULT US**

# LEAF CHAINS

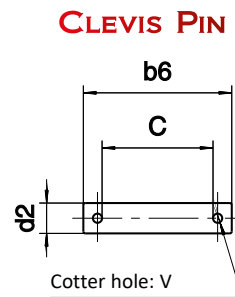
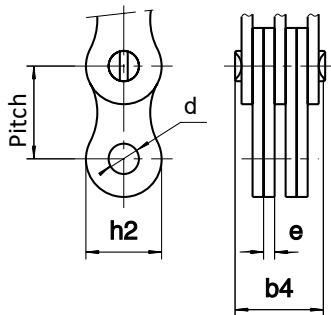


THE LACINGS GENERALLY USED



OTHER LACINGS ARE ALSO AVAILABLE. CONSULT US

AL SERIES CHAINS - Plates issued from American standard roller chains



Dimensions in mm

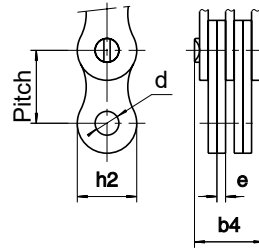
References	Nominal pitch mm	Real pitch mm	Lacing	b4 max.	h2 max.	d min.	e max.	SEDIS UTS		Mass per meter kg	Clevis pin			
								kN min.			C min.	b6 max.	d2 max.	V
AL422	12,7	12,63	2 x 2	8,2	11,5	3,99	1,55	16,5	0,35	10,0	17,9	3,98	1,8	
AL444			4 x 4	14,6				33,0	0,70	16,2	24,1			
AL466			6 x 6	21,0				49,5	1,01	22,6	30,5			
AL522	15,875	15,82	2 x 2	10,7	12,1	5,10	2,05	27,0	0,65	12,0	21,1	5,09	1,8	
AL544			4 x 4	19,1				54,0	1,25	21,5	29,5			
AL566			6 x 6	27,4				81,0	1,85	29,7	37,9			
AL588			8 x 8	36,7				108,0	2,60	37,9	46,0			
AL622	19,05	19,00	2 x 2	12,3	14,3	5,97	2,40	38,0	0,76	15,0	23,5	5,96	1,8	
AL644			4 x 4	22,3				80,0	1,50	25,0	33,5			
AL666			6 x 6	32,4				120,0	2,25	34,6	43,1			
AL688			8 x 8	41,7				160,0	2,93	44,9	53,4			
AL822	25,4	25,26	2 x 2	17,0	20,8	7,97	3,20	65,7	1,50	20,0	30,2	7,94	2,0	
AL844			4 x 4	30,0				131,4	2,80	33,3	43,5			
AL866			6 x 6	43,0				197,1	4,10	46,5	56,7			
AL888			8 x 8	55,0				262,8	5,40	--	--			
AL1022	31,75	31,63	2 x 2	20,8	25,4	9,57	4,10	88,5	2,52	25,0	35,3	9,53	2,5	
AL1044			4 x 4	37,4				168,6	4,95	42,0	52,5			
AL1066			6 x 6	54,0				252,8	7,35	55,0	65,5			
AL1222	38,1	37,95	2 x 2	24,4	30,0	11,12	4,90	127,0	3,50	30,0	44,3	11,10	3,2	
AL1244			4 x 4	44,2				254,0	6,90	48,0	62,5			
AL1266			6 x 6	64,0				381,0	10,30	70,0	84,5			
AL1422	44,45	44,32	2 x 2	28,5	35,7	12,75	5,80	172,4	4,65	35,0	50,3	12,70	3,2	
AL1444			4 x 4	51,9				344,8	9,45	60,0	75,3			
AL1466			6 x 6	75,1				517,2	14,10	85,0	100,5			
AL1622	50,8	50,65	2 x 2	32,0	40,5	14,32	6,55	226,8	5,70	42,0	58,2	14,30	3,2	
AL1644			4 x 4	58,5				453,6	11,70	70,0	86,4			
AL1666			6 x 6	84,6				680,4	17,40	95,0	111,5			

ALL OUR LEAF CHAINS CAN BE SUPPLIED WITH AN ANTI-CORROSION TREATMENT OR A TREATMENT AGAINST COLD USAGE. PLEASE CONSULT US

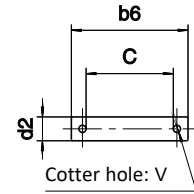
**J (LL) SERIES CHAINS** - Plates issued from European standard roller chains (B) comply with ISO 4347 international standard



**BEST RATIO  
MASS/UTS**



**CLEVIS PIN**



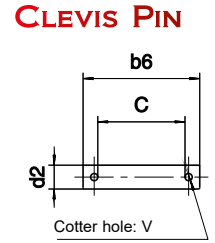
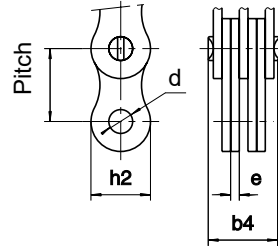
Dimensions in mm

References		DELTA TITANIUM 2	Nominal pitch mm	Real pitch mm	Lacing	b4 max.	h2 max.	d min.	e max.	SEDIS UTS		Mass per meter kg	Clevis Pin				
ISO 4347	SEDIS									ISO 4347	SEDIS		C	b6 max.	d2 max.	V	
																	kN
	J34	x			2 x 2	6,3	8,3	3,30	1,30	.	9,0	0,26	.	.	.	.	
	J38	x	9,525	9,45	4 x 4	11,6	8,3	3,30	1,30	.	17,6	0,50	.	.	.	.	
	J144	x			2 x 2	6,9	8,3	3,66	0,93	.	8,0	0,17	6,1	13,4	3,65	1,2	
LL08-22	J44	x	12,7	12,63	2 x 2	8,1	11,5	4,46	1,34	18,0	18,2	0,34	8,6	16,5	4,45	1,6	
LL08-44	J48	x			4 x 4	13,0	11,5	4,46	1,34	36,0	36,4	0,66	13,9	21,8	4,45	1,6	
LL08-66	J412	x			6 x 6	18,9	11,5	4,46	1,34	54,0	54,6	1,00	19,3	27,3	4,45	1,6	
LL10-22	J54	x	15,875	15,82	2 x 2	9,3				22,0	23,0	0,44	10,5	18,4			
LL10-44	J58	x			4 x 4	16,4					44,0	46,0	0,85	17,2	25,5		
LL10-66	J512	x			6 x 6	22,2	12,1	5,10	1,65	66,0	69,0	1,30	23,9	32,0	5,08	1,6	
	J516	x			8 x 8	29,1				.	92,0	1,73	30,5	38,7			
	J524	x			12 x 12	42,8				.	138,0	2,50	43,8	52,0			
LL12-22	J64	x	19,05	19,00	2 x 2	10,2				29,0	31,0	0,60	11,7	19,8			
LL12-44	J68	x			4 x 4	17,8					58,0	62,0	1,18	19,4	27,5		
LL12-66	J611	x			6 x 5	23,7	14,3	5,74	1,85	.	78,0	1,60	25,0	33,1	5,72	1,6	
	J612	x			6 x 6	25,5				87,0	94,0	1,74	27,2	35,3			
	J615	x			8 x 7	31,3				.	109,0	2,20	33,0	42,0			
	J617	x			9 x 8	35,0				.	125,0	2,50	37,0	46,0			
LL16-22	J84T	x	25,4	25,26	2 x 2	16,6				60,0	75,0	1,45	19,4	30,8			
	J85T	x			3 x 2	20,0					.	75,0	1,79	22,3	34,0		
	J87T	x			3 x 4	26,4	20,8	8,29	3,20	.	110,0	2,51	29,7	40,4	8,28	2,5	
LL16-44	J88T	x			4 x 4	29,6				120,0	150,0	2,85	32,3	43,6			
LL16-66	J812T	x			6 x 6	42,4				180,0	210,0	3,49	45,0	56,5			
	J816T	x			8 x 8	55,2				.	300,0	5,70	61,7	75,0			
LL20-22	J104T	x	31,75	31,62	2 x 2	19,1				95,0	105,0	2,10	22,5	35,7			
LL20-44	J108T	x			4 x 4	34,1	25,4	10,21	3,70	190,0	210,0	4,12	37,3	50,6	10,18	3,2	
LL20-66	J1012T	x			6 x 6	48,9				285,0	315,0	6,19	52,1	65,5			
	J1016T	x			8 x 8	64,0				.	420,0	8,25	68,0	81,4			
LL24-22	J1204T	x	38,1	37,95	2 x 2	25,8				170,0	180,0	4,00	31,6	47,2			
LL24-44	J1208T	x			4 x 4	46,8	32,3	14,65	5,20	340,0	360,0	8,00	52,4	68,2	14,62	3,2	
LL24-66	J1212T	x			6 x 6	67,5				510,0	540,0	12,00	73,0	88,8			
	J1216T	x			8 x 8	88,1				.	720,0	16,00	94,0	109,5			
LL28-22	J1404T	x	44,45	44,30	2 x 2	31,7				200,0	235,0	6,00	39,7	56,8			
LL28-44	J1408T	x			4 x 4	58,0	33,5	15,92	6,55	400,0	470,0	12,00	66,0	83,2	15,89	4,0	
LL28-66	J1412T	x			6 x 6	84,2				600,0	705,0	17,00	92,0	109,2			
	J1416T	x			8 x 8	110,3				.	940,0	23,00	118,2	135,5			
LL32-22	J1604T	x	50,8	50,64	2 x 2	30,7				260,0	270,0	6,50	38,2	56,2			
LL32-44	J1608T	x			4 x 4	55,6	42,3	17,83	6,20	520,0	540,0	13,00	63,0	81,1	17,80	4,0	
LL32-66	J1612T	x			6 x 6	80,5				780,0	810,0	19,00	87,8	106,0			
	J1616T	x			8 x 8	105,2				.	1 080,0	25,00	112,5	130,8			
LL40-22	J2004T	x	63,65	63,34	2 x 2	39,8				360,0	400,0	10,00	49,7	72,0			
LL40-44	J2008T	x			4 x 4	72,8	52,8	22,95	8,20	720,0	800,0	19,50	82,6	105,0	22,88	5,0	
LL40-66	J2012T	x			6 x 6	105,6				1 080,0	1 200,0	29,00	115,4	138,0			
	J2016T	x			8 x 8	138,4				.	1 600,0	39,00	148,2	171,0			
LL48-22	J2404T		76,2	76,04	2 x 2	48,7				560,0	600,0	15,00	60,6	86,0			
LL48-44	J2408T				4 x 4	89,7	64,2	29,25	10,20	1 120,0	1 200,0	29,50	101,8	127,5	29,22	6,3	
LL48-66	J2412T				6 x 6	130,5				1 680,0	1 800,0	44,00	144,8	170,5			
<b>Heavy series</b>																	
(1)	5611-18		15,875	15,82	4 x 4	16,8					55,0	1,05	17,2	25,5			
(2)	5611-14	5611-16			6 x 6	22,6	13,7	5,10	1,65	.	82,4	1,70	23,9	32,0	5,08	1,6	

(1) 5611-18 Heavy series of J58 (LL10-44) chain

(2) 5611-14 Heavy series of J512 (LL10-66) chain.

LH (BL) SERIES CHAINS - comply with ISO 4347 international standards



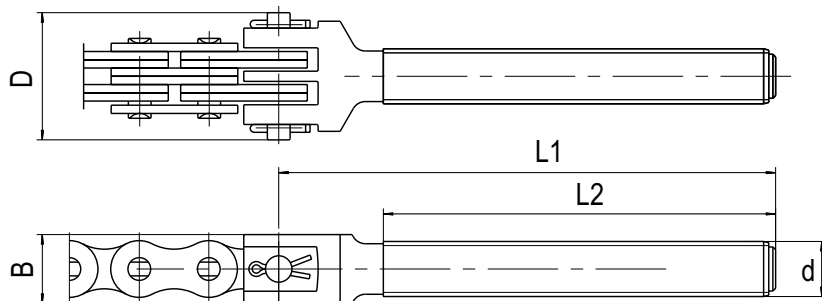
Dimensions in mm

References		DELTA TITANIUM 2	Nominal pitch mm	Lacing	b4 max.	h2 max.	d min.	e max.	UTS		Mass per meter kg	Clevis Pin					
ASME B29.8	SEDIS & ISO 4347								ISO 4347	SEDIS		C min.	b6 max.	d2 max.	V		
																kN min.	
BL 422	LH08-22	x		2 x 2	10,90				22,2	27,0	0,58	13	21,2				
BL 423	LH08-23	x		2 x 3	12,90				22,2	27,0	0,71	18	26,1				
BL 434	LH08-34	x		3 x 4	17,30				33,4	40,5	1,00	20	26,1				
BL 444	LH08-44	x	12,7	4 x 4	19,40	12,07	5,10	2,05	44,5	54,0	1,14	22	30,5	5,08	1,6		
BL 446	LH08-46	x		4 x 6	23,10				44,5	54,0	1,42	26	33,1				
BL 466	LH08-66	x		6 x 6	27,30				66,7	81,0	1,70	30	38,5				
BL 488	LH08-88	x		8 x 8	36,25				.	108,0	2,30	39	47,5				
BL 522	LH10-22	x		2 x 2	12,70				33,4	42,7	0,85	18	26,1				
BL 523	LH10-23	x		2 x 3	15,10				33,4	43,0	1,05	18	26,1				
BL 534	LH10-34	x		3 x 4	20,00				48,9	60,0	1,45	25	33,1				
BL 544	LH10-44	x	15,875	4 x 4	22,30	14,5	5,99	2,40	66,7	80,0	1,70	25	33,1	5,95	1,6		
BL 546	LH10-46	x		4 x 6	26,80				66,7	80,0	2,08	30	38,1				
BL 566	LH10-66	x		6 x 6	32,20				100,1	120,0	2,50	35	44,2				
BL 588	LH10-88	x		8 x 8	42,25				.	170,8	3,40	45	53,5				
BL 622	LH12-22	x		2 x 2	17,20				48,9	65,0	1,42	22	31,2				
BL 623	LH12-23	x		2 x 3	20,50				48,9	65,0	1,78	26	35,2				
BL 634	LH12-34	x		3 x 4	27,10				75,6	97,5	2,35	30	39,2				
BL 644	LH12-44	x	19,05	4 x 4	30,50	18,1	7,97	3,30	97,9	130,0	2,80	35	44,2	7,92	2,0		
BL 646	LH12-46	x		4 x 6	37,25				97,9	130,0	3,40	45	54,5				
BL 666	LH12-66	x		6 x 6	44,00				146,8	195,0	4,00	48	57,5				
BL 688	LH12-88	x		8 x 8	57,25				.	260,0	5,70	65	74,5				
BL 822	LH16-22	x		2 x 2	21,40				84,5	105,0	2,17	25	35,3				
BL 823	LH16-23	x		2 x 3	25,50				84,5	105,0	2,71	30	40,2				
BL 834	LH16-34	x		3 x 4	33,80				129,0	157,0	3,78	35	45,2				
BL 844	LH16-44	x	25,4	4 x 4	37,90	24,0	9,56	4,10	169,0	210,0	4,35	42	52,5	9,53	2,5		
BL 846	LH16-46	x		4 x 6	46,20				169,0	210,0	5,47	48	58,4				
BL 866	LH16-66	x		6 x 6	54,50				253,6	310,0	6,55	55	65,5				
BL 888	LH16-88	x		8 x 8	71,00				.	410,0	8,70	75	85,6				
BL 1022	LH20-22			2 x 2	24,40				115,6	140,0	3,48	30	44,3				
BL 1023	LH20-23			2 x 3	29,40				115,6	140,0	4,35	35	49,2				
BL 1034	LH20-34			3 x 4	39,20				182,4	230,0	6,03	45	59,2				
BL 1044	LH20-44		31,75	4 x 4	44,25	29,6	11,12	4,90	231,3	280,0	6,90	48	62,5	11,10	3,2		
BL 1046	LH20-46			4 x 6	54,00				231,3	280,0	8,60	65	79,3				
BL 1066	LH20-66			6 x 6	63,80				347,0	420,0	10,30	70	84,5				
BL 1088	LH20-88			8 x 8	83,50				.	560,0	13,70	90	104,7				
BL 1222	LH24-22			2 x 2	28,40				151,2	175,0	4,40	35	50,3				
BL 1223	LH24-23			2 x 3	34,30				151,2	175,0	5,50	42	57,2				
BL 1234	LH24-34			3 x 4	45,90				244,6	300,0	7,70	55	70,3				
BL 1244	LH24-44		38,1	4 x 4	51,80	34,6	12,76	5,80	302,5	355,0	8,80	60	75,3	12,70	3,2		
BL 1246	LH24-46			4 x 6	63,40				302,5	355,0	10,80	75	90,3				
BL 1266	LH24-66			6 x 6	75,10				453,7	530,0	13,00	85	100,5				
BL 1288	LH24-88			8 x 8	98,30				.	710,0	17,40	110	125,5				
BL 1422	LH28-22			2 x 2	32,00				191,3	220,0	6,30	42	58,2				
BL 1423	LH28-23			2 x 3	38,70				191,3	220,0	7,85	48	64,3				
BL 1434	LH28-34			3 x 4	51,80				315,8	375,0	10,80	60	76,3				
BL 1444	LH28-44		44,45	4 x 4	58,50	42,0	14,33	6,55	382,6	440,0	12,60	70	86,4	14,27	3,2		
BL 1446	LH28-46			4 x 6	71,50				382,6	440,0	15,70	85	101,5				
BL 1466	LH28-66			6 x 6	84,60				578,3	685,0	18,80	95	111,5				
BL 1488	LH28-88			8 x 8	111,00				.	910,0	25,10	120	136,5				
BL 1622	LH32-22			2 x 2	36,20				289,1	320,0	8,30	45	63,3				
BL 1623	LH32-23			2 x 3	43,80				289,1	320,0	10,40	55	73,2				
BL 1634	LH32-34			3 x 4	58,80				440,4	480,0	14,60	70	88,3				
BL 1644	LH32-44		50,8	4 x 4	66,50	48,3	17,52	7,50	578,3	640,0	16,70	80	98,4	17,46	4,0		
BL 1646	LH32-46			4 x 6	81,30				578,3	640,0	20,80	95	113,5				
BL 1666	LH32-66			6 x 6	96,50				867,4	960,0	25,00	110	128,7				
BL 1688	LH32-88			8 x 8	126,40				.	1 280,0	33,30	140	159,0				

## CLEAVISES

Our range of clevises is adapted to fit with the most popular inner and outer link plates lacings for the AL, J/ LL and LH/BL chains.

Standard Clevises as described hereafter are, by default, of **female type** which connect to the chain with a **clevis pin**. On demand SEDIS can deliver clevises of **male type** which connect to the chain with a **connecting link**.



Dimensions in mm

CLEAVISES FOR J (LL) CHAINS								
References	Corresponding chain		Lacing	d	D	B	L1	L2
	ISO 4347	SEDIS						
C48R160-120	LL08-44	J48	4 x 4	M14	21,8	20	160	120
C412R172-140	LL08-66	J412	6 x 6	M14	27,3	25	172	140
C54R82-50	LL10-22	J54	2 x 2	M14	18,4	20	82	50
C54R172-140	LL10-22	J54	2 x 2	M14	18,4	20	172	140
C58R117-85	LL10-44	J58	4 x 4	M14	25,5	20	117	85
C58R172-140	LL10-44	J58	4 x 4	M14	25,5	20	172	140
C512R82-50	LL10-66	J512	6 x 6	M14	32,0	25	82	50
C512R105-70	LL10-66	J512	6 x 6	M14	32,0	25	105	70
C512R112-80	LL10-66	J512	6 x 6	M14	32,0	25	112	80
C512R172-140	LL10-66	J512	6 x 6	M14	32,0	25	172	140
C516F172-140		J516	8 x 8	M16	38,7	25	172	140
C524F172-140		J524	12 x 12	M24	52,0	32	172	140
C68R160-130	LL12-44	J68	4 x 4	M14	27,5	25	160	130
C612R75-40	LL12-66	J612	6 x 6	M16	35,3	30	75	40
C612R110-75	LL12-66	J612	6 x 6	M16	35,3	30	110	75
C612R120-80	LL12-66	J612	6 x 6	M16	35,3	30	120	80
C612R135-105	LL12-66	J612	6 x 6	M16	35,3	30	135	105
C612R160-125	LL12-66	J612	6 x 6	M16	35,3	30	160	125
C612R190-160	LL12-66	J612	6 x 6	M16	35,3	30	190	160
C87F178-140		J87	3 x 4	M20	40,4	24	178	140
C88F133-90	LL16-44	J88	4 x 4	M20	43,6	25	133	90
C88F175-140	LL16-44	J88	4 x 4	M20	43,6	25	175	140
C88F250-110	LL16-44	J88	4 x 4	M20	43,6	25	250	110
C88F345-300	LL16-44	J88	4 x 4	M20	43,6	25	345	300
C812F172-135	LL16-66	J812	6 x 6	M20	56,5	25	172	135
C812F222-185	LL16-66	J812	6 x 6	M20	56,5	25	222	185
C812F287-250	LL16-66	J812	6 x 6	M20	56,5	25	287	250
C816F235-190		J816	8 x 8	M20	75,0	30	235	190
C108F194-135	LL20-44	J108	4 x 4	M24	50,6	32	194	135
C108F239-180	LL20-44	J108	4 x 4	M24	50,6	32	239	180
C1012F165-115	LL20-66	J1012	6 x 6	M24	65,5	40	165	115
C1012F250-200	LL20-66	J1012	6 x 6	M24	65,5	40	250	200
C1012F323-205	LL20-66	J1012	6 x 6	M24	65,5	40	323	205
C1012F430-165	LL20-66	J1012	6 x 6	M24	65,5	40	430	165
C1016F250-200		J1016	8 x 8	M24	81,4	40	250	200
C1204F285-160	LL1222	J1204	2 x 2	M24	47,2	39	285	160
C1208F192-135	LL24-44	J1208	4 x 4	M30	68,2	39	192	135
C1212F285-160	LL24-66	J1212	6 x 6	M36	88,8	50	285	160
C1212F285-180	LL24-66	J1212	6 x 6	M36	88,8	50	285	180
C1212F305-180	LL24-66	J1212	6 x 6	M36	88,8	50	305	180
C1212F400-200	LL24-66	J1212	6 x 6	M36	88,8	50	400	200
C1608F255-180	LL32-44	J1608	4 x 4	M36	81,1	60	255	180
C1612F375-200	LL32-66	J1612	6 x 6	M36	106,0	60	375	200

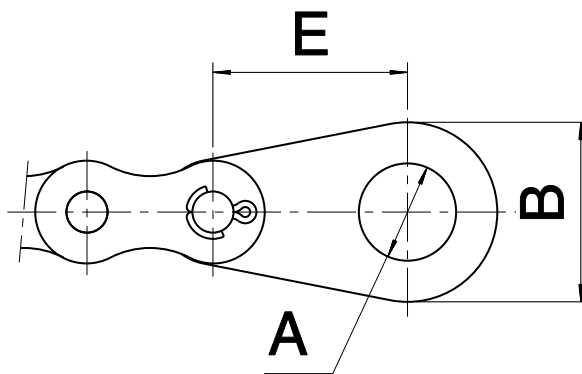
CLEAVISES FOR LH (BL) and AL CHAINS								
References	Corresponding chain		Lacing	d	D	B	L1	L2
		SEDIS						
C0823R110-75	LH0823	AL523	2 x 3	M12	26,1	20	110	75
C0834R95-70	LH0834	AL534	3 x 4	M12	26,1	20	95	70
C0844R110-75	LH0844	AL544	4 x 4	M14	33,1	25	110	75
C0846R110-75	LH0846	AL546	4 x 6	M14	33,1	25	110	75
C0866F172-140	LH0866	AL566	6 x 6	M16	38,5	35	172	140
C1023R172-140	LH1023	AL623	2 x 3	M14	26,1	20	172	140
C1034R172-140	LH1034	AL634	3 x 4	M14	33,5	30	172	140
C1044R172-140	LH1044	AL644	4 x 4	M14	33,5	30	172	140
C1044F130-95	LH1044	AL644	4 x 4	M14	33,5	20	130	95
C1046F110-80	LH1046	AL646	4 x 6	M16	38,1	20	110	80
C1046F172-140	LH1046	AL646	4 x 6	M16	38,1	20	172	140
C1066F110-60	LH1066	AL666	6 x 6	M20	44,2	25	110	60
C1066F172-140	LH1066	AL666	6 x 6	M20	44,2	25	172	140
C1066F240-130	LH1066	AL666	6 x 6	M20	44,2	25	240	130
C1088F160-120	LH1088	AL688	8 x 8	M20	53,8	25	160	120
C1223F178-140	LH1223	AL823	2 x 3	M20	35,2	25	178	140
C1234F178-140	LH1234	AL834	3 x 4	M20	39,1	25	178	140
C1244F93-55	LH1244	AL844	4 x 4	M20	44,2	25	93	55
C1244F178-140	LH1244	AL844	4 x 4	M20	44,2	25	178	140
C1246F178-130	LH1246	AL846	4 x 6	M20	54,1	25	178	130
C1246F178-140	LH1246	AL846	4 x 6	M20	54,1	25	178	140
C1246F270-230	LH1246	AL846	6 x 6	M20	54,1	25	270	230
C1266F128-80	LH1266	AL866	6 x 6	M20	57,5	25	128	80
C1266F178-140	LH1266	AL866	6 x 6	M20	57,5	25	178	140
C1266F188-135	LH1266	AL866	6 x 6	M20	57,5	25	188	135
C1622F160-120	LH1622	AL1022	2 x 2	M20	35,3	25	160	120
C1622F178-140	LH1622	AL1022	2 x 2	M20	35,3	25	178	140
C1623F160-120	LH1623	AL1023	2 x 3	M20	40,2	25	160	120
C1623F178-140	LH1623	AL1023	2 x 3	M20	40,2	25	178	140
C1634F160-120	LH1634	AL1034	3 x 4	M20	45,2	25	160	120
C1634F178-140	LH1634	AL1034	3 x 4	M20	45,2	25	178	140
C1644F118-80	LH1644	AL1044	4 x 4	M20	52,5	25	118	80
C1644F178-140	LH1644	AL1044	4 x 4	M20	52,5	25	178	140
C1646F160-120	LH1646	AL1046	4 x 6	M20	58,2	25	160	120
C1646F178-140	LH1646	AL1046	4 x 6	M20	58,2	25	178	140
C1666F160-120	LH1666	AL1066	6 x 6	M24	65,5	32	160	120
C2023F240-180	LH2023	AL1223	2 x 3	M24	49,2	32	240	180
C2044F178-140	LH2044	AL1244	4 x 4	M24	62,5	32	178	140
C2044F240-180	LH2044	AL1244	4 x 4	M24	62,5	32	240	180
C2046F200-120	LH2046	AL1246	4 x 6	M24	79,3	32	200	120
C2066F200-120	LH2066	AL1266	6 x 6	M30	84,5	32	200	120
C2066F285-160	LH2066	AL1266	6 x 6	M30	84,5	32	285	160
C2846F250-150	LH2846	AL1646	4 x 6	M36	101,5	45	250	150

- Clevises are also available in L1 and L2 lengths different from those in above table
- When ordering your chain, please make sure wether the clevis must be delivered with or without the axle

## ACCESSORIES FOR LEAF CHAINS

## END LINKS

When the use of clevises is unsuitable, special **end links** are available.



Dimensions in mm

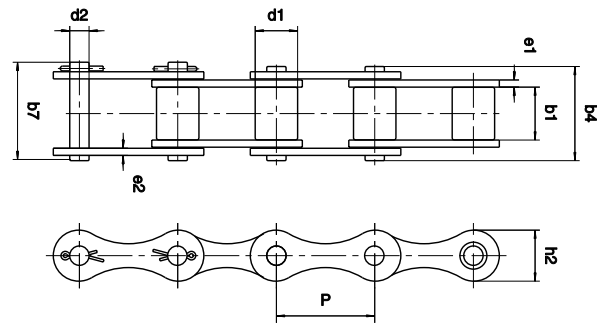
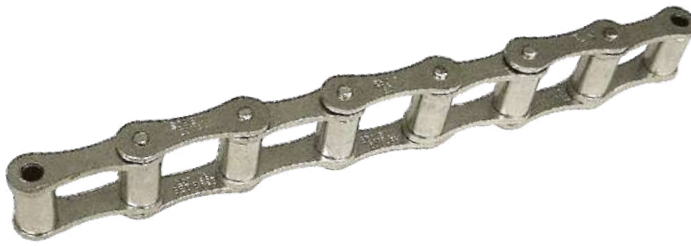
Chain	A	B	E
AL5	16,0	28,0	31,8
AL6	14,1	25,0	35,0
LH08	8,3	18,0	20,0
	10,3	20,0	31,8
J4 (LL08)	8,2	16,0	18,0
	6,5	16,0	18,0
	10,3	22,0	30,0
	10,0	20,0	30,0
J5 (LL10)	10,3	22,0	25,0
	12,0	22,0	44,7
	12,0	22,0	25,0
	12,0	25,0	45,0
	16,0	28,2	31,8
J6 (LL12)	10,0	22,0	25,0
	10,1	20,0	25,0
	10,3	20,0	25,0
J8 (LL16)	15,0	30,5	40,0
	12,3	30,5 (flated)	40,0
	12,0	25,0	30,0
	16H7	35,0	38,1
	18,0	36,0	38,5
	19,1	36,0	39,0
	24,0	50,0	65,0
	25,0	44,0	50,0
	25,0	44,0	51,0
25,2	44,0	50,8	
J10 (LL20)	20,0	40,0	60,0
	25,0	44,0	63,5
J12 (LL24)	24,0	52,3	65,0
	32,0	56,0	76,2
J16 (LL32)	36,0	60,0	70,0
	35,0	80,0	91,5
	35,0	80,0	75,0
	36H10	60,5	70,8

All dimensions possible. Please consult us.



# AGRICULTURAL CHAINS

**ROLLER CHAIN ISO 487 S TYPE CHAINS** - comply with ISO 487 international standard



- Chains S55 and S62 are fitted with large rollers  $d1 > h2$
- These chains are zinc plated

Dimensions in mm

References	Pitch P	d1 max.	b1 min.	b4 max.	b7 max.	d2 max.	h2 max.	e1	e2	UTS min. kN	Mass per meter kg
								max.			
S52	38,1	15,20	22,20	37,3	42,5	5,78	17,20	3,06	2,60	27	1,6
S45	41,4	15,20	22,20	37,3	42,5	5,78	17,20	3,06	2,60	23	1,5
S55	41,4	17,80	22,20	37,3	42,5	5,78	17,20	3,06	2,60	23	1,8
S55R	41,4	17,80	22,20	39,5	43,0	8,13	21,66	3,15	3,15	45	2,4
S62	41,9	19,00	25,40	40,5	45,7	5,78	17,20	3,06	2,60	29	2,2

**CONNECTING LINKS**

**CRANKED LINK**



N°205: Outer link to rivet



N°208: Cottered link



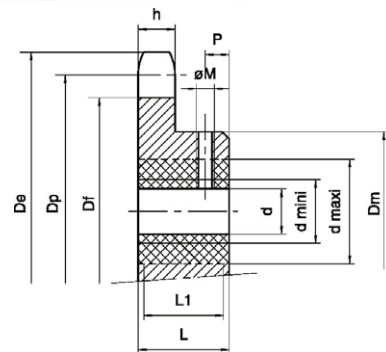
N°216: Single crank cottered link

**STANDARD SPROCKETS FOR CHAINS S55**

Shapes and profiles of teeth comply with NFE 23-105 standard

**MANUFACTURING**

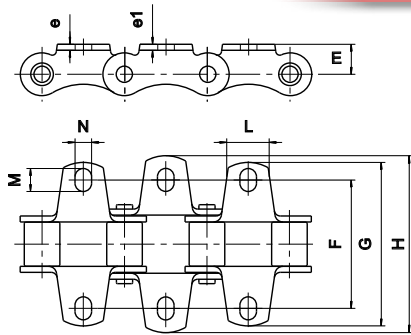
- Material: cast iron (as-cast including teeth)
- On request, we can finish these parts according to dimensions L1, d,  $\Phi M$  and P given in the right hand columns of the table, and all pin grooves (table hereafter)
- Keyways also possible



Dimensions in mm

References	Number of teeth	SPROCKETS in STOCK							FINISHING (on request)				
		Dp	De	Df	d max.	h	Dm	L	L1	d min.	d max.	$\Phi M$	p
9S55	9	122,0	133	105	20	18	85	50	47	25	50	M8	16
11S55	11	148,2	159	131	20	18	90	50	47	25	50	M8	16
13S55	13	174,5	186	157	20	18	100	56	53	25	60	M10	18
15S55	15	200,8	212	184	20	18	100	56	53	25	60	M10	18

FITTED WITH K1 ATTACHMENTS

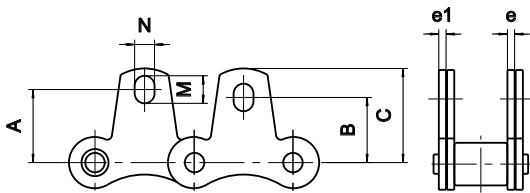


French standard: NFE 26-105

Dimensions in mm

References	E nom.	e nom.	e1 nom.	N min.	M min.	L nom.	F nom.	G max.	H max.
S52					9,9		59,0	77,5	77,5
S45	11,7	2,5	2,5	8,3	13,3	20	54,0	74,9	74,9
S55					13,3		54,0	74,9	74,9
S62					15,8		66,6	95,3	95,3
S55R	15,3	3,0	3,0	8,3	11,5	20	64,5	84,0	90,0

FITTED WITH M1 ATTACHMENTS

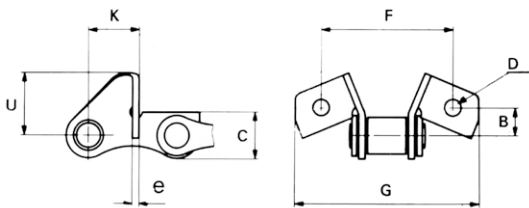


French standard: NFE 26-105

Dimensions in mm

References	A nom.	B nom.	C max.	e1 nom.	e nom.	M min.	N min.
S52	22,10	22,1	31,7			9,9	
S45	19,80	19,8	30,2	2,5	3	13,3	8,3
S55	19,80	19,8	30,2			13,3	
S62	24,60	24,6	38,6			15,8	
S55R	30,50	27,2	39,5	3,0	3	11,5	8,3

FITTED WITH SE ATTACHMENTS



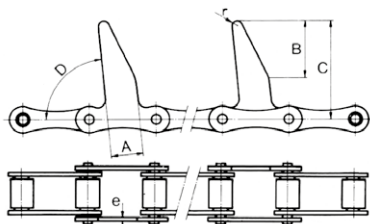
(on inner link only)

Dimensions in mm

References	B nom.	C nom.	e nom.	F nom.	G maxi	K nom.	U max.	D min.
S45								
S55	13,6	17,0	2,5	61,7	89,8	24,0	28,0	9,0

FITTED WITH HOOKED PLATES

Use on loaders-collectors of bales of hay, straw, etc...

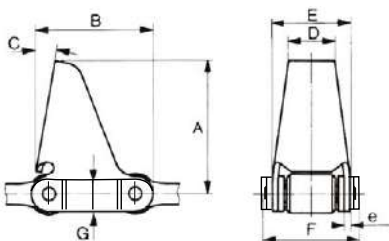


Dimensions in mm

References	A nom.	B nom.	C nom.	D	e nom.
S45	20	35	61,5	85°	2,5
S52	20	35	61,5	85°	2,5
S55	20	35	61,5	85°	3,0

FITTED WITH SCOOPED PLATES AND TREATED EXTERNAL SCRAPING PLATES

Used for harvesting maize (corn)



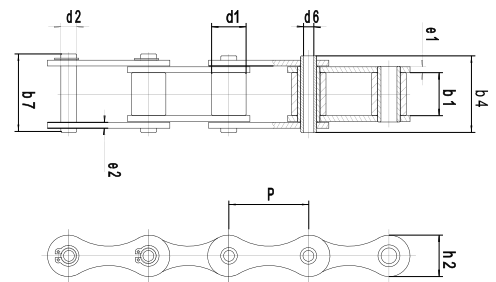
(on outer link only)

Dimensions in mm

References	A	B	C	D	E	F	G	e
S62	65,0	57,2	11°	23	38	49	17,2	3

# A-TYPE "AGRICULTURAL" CHAINS (HOLLOW PIN CHAINS)

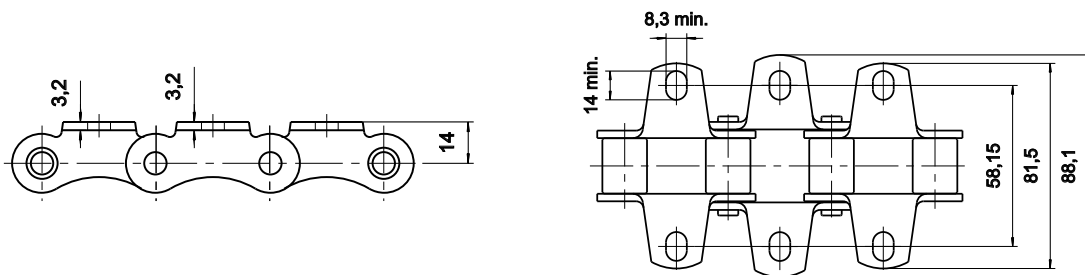
- These hollow pin chains allow the use of  $\phi 8$  rods ( $\phi 10$  mm for B255 chain)
- Connecting links available:
  - with spring clip or normal outer link for A55BC and A55 INOX
  - with cottered connecting link or normal outer link for chains A155TS and B255



Dimensions in mm

References	Pitch P	d1 max.	b1 min.	b4 max.	b7 max.	d2 max.	d6 min.	h2 max.	e1 max.	e2 max.	UTS kN	Mass per meter kg
A55BC	41,75	17,1	19,9	35,7	38,0	11,11	8,1	21,65	3,2	3,2	22,6	1,4
A155TS	41,75	17,1	19,9	35,7	42,5	11,11	8,1	25,26	3,2	3,2	49,0	2,0
B255	41,75	17,1	19,9	39,0	42,7	14,11	10,3	25,26	4,1	3,2	49,0	2,1
A55 INOX	41,75	17,1	19,9	35,0	36,7	11,11	8,2	20,50	3,2	3,2	17,6	1,3

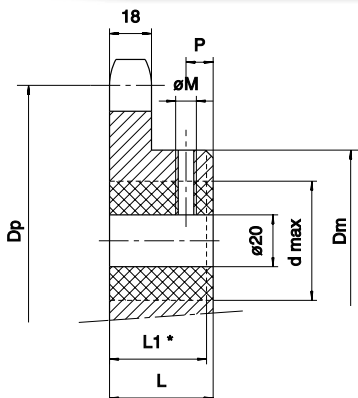
## K1 ATTACHMENTS FOR A55BC (ZINC BI-CHROMATE PLATED)



## STANDARD SPROCKETS FOR CHAINS A55 AND A155TS

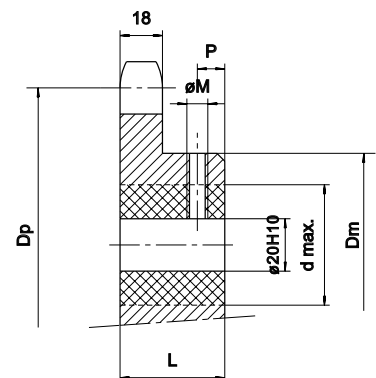
### MANUFACTURING

- These steel sprockets are proposed either in cut or trimmed version. Cast iron sprockets are unpolished, tooth included.
- Any machining of these parts will be on demand and in relation to dimensions L1,d,M,P mentioned into the right column of the hereafter table
- Keyways also possible.



$L1^* = L - 3$

Dimensions in mm



Dimensions in mm

CAST IRON SPROCKETS: as cast							
References	Number of teeth	Dp	L	Dm	d max.	P	ØM
9F55	9	122,0	50	85	50	16	M8
11F55	11	148,2	50	90	50	16	M8
13F55	13	174,5	56	100	60	18	M10
15F55	15	200,8	56	100	60	18	M10

STEEL SPROCKETS: machined							
References	Number of teeth	Dp	L nom.	Dm max.	d max.	P nom.	ØM
9A55	9	122	50	80	50	12,5	M8
11A55	11	148,2	50	100	60	12,0	M8
13A55	13	174,5	63	130	85	16,0	M10
15A55	15	200,8	63	165	110	16,0	M10

# CONVEYOR CHAINS

# SOLID BEARING PIN CHAINS ACORDING TO ISO 1977

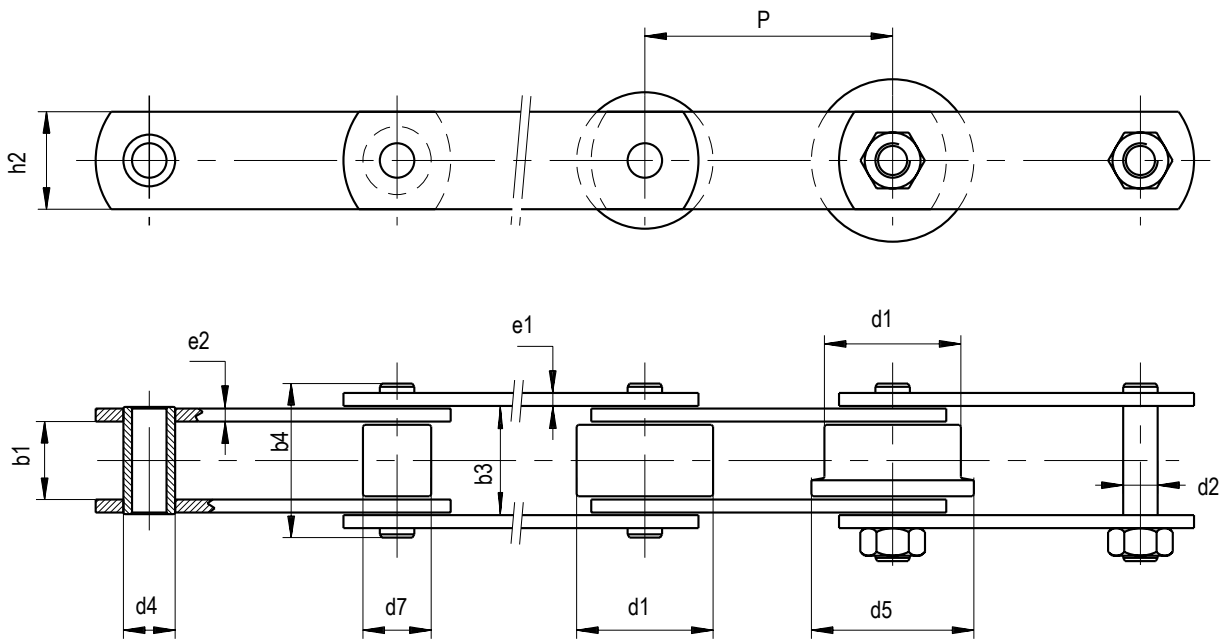
These chains are:

- bush chains (d4)
- small roller chains (d7)
- big roller chain (plain (d1) or flanged (d5))

The connecting links available:

- screwed connecting link N° 209
- cottered connecting link N° 208

The big rollers are heat treated. We can deliver other metallurgy treatments on demand (hardening, quenching, high frequency, etc...)



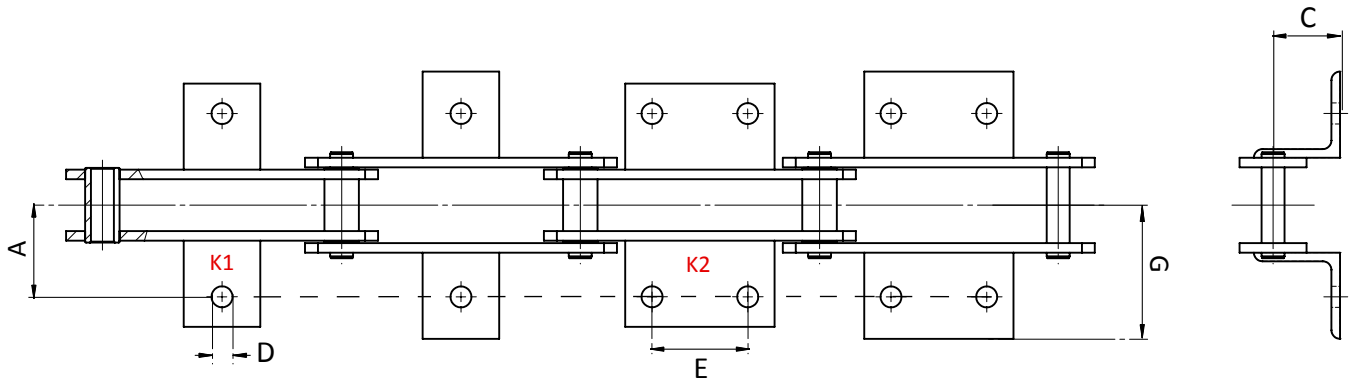
Dimensions in mm

Chain	Pitch (intermediate pitches on request)													b1 min.	b3 min.	h2 ave.	b4 max.	e1 ave.	e2 ave.	d2 max.	d4 max.	d7 max.	d1 max.	d5 max.	Rr (kN) min.
	40	50	63	80	100	125	160	200	250	315	400	500	630												
M 20	*													15,5	22,5	17	30,6	2,5	2,5	6	9	12,5	25	32	20
M 56			*											23,2	33,6	30	47,4	4,0	4,0	10	15	21,0	42	50	65
M 80														28	39,6	35	55,4	5,0	5,0	12	18	25,0	50	60	100
M 112				*										31,0	45,7	40	62,0	5,0	6,0	15	21	30,0	60	70	130
M 160					*									36,0	52,7	50	72,0	6,0	7,0	18	25	36,0	70	85	200
M 224						*								42,0	60,8	60	81,2	6,0	8,0	21	30	42,0	85	100	270
M 315							*							48	70,8	70	94,2	8,0	10,0	25	36	50,0	100	120	420
M 450								*						55,5	82,9	80	112,5	10,0	12,0	30	42	60,0	120	140	570
M 630									*					66,0	97,0	100	131,5	12,0	15,0	36	50	70,0	140	170	630
M 900										*				78,0	113,0	120	153,0	14,0	16,0	44	60	85,0	170	210	900

Possible pitches
  Delivered under 2 weeks for bush and roller versions
  \* Only applicable to chains with bushes and rollers

THESE CHAINS CAN BE MANUFACTURED IN  
 DELTA® HR/DELTA® TITANIUM 2 /VERTE® VERSIONS.  
 PLEASE CONSULT US.

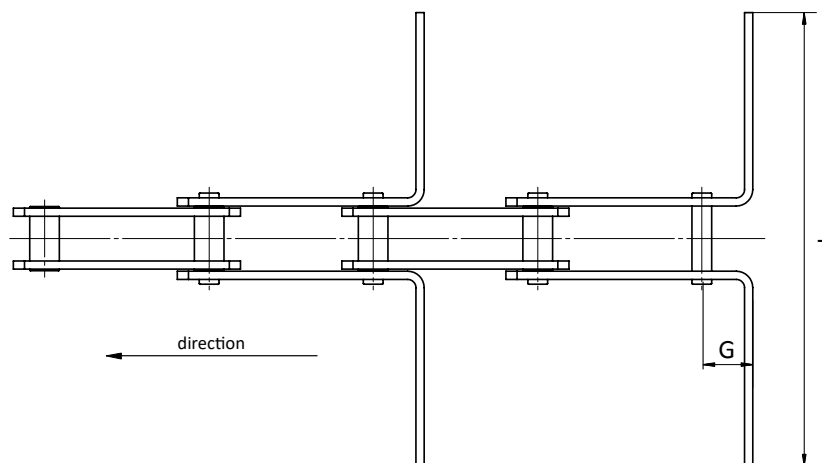
K ATTACHMENTS FOR ISO 1977 CHAINS



Dimensions in mm

Chain	D	A	G	C	E depending on the pitch P											
					63	80	100	125	160	200	250	315	400	500	630	
M20	6,6	27	43,5	16,5	20	35	50	50	50							
M56	11	44	63	30			25	50	85	85	85					
M80	11	48	71	35				50	85	125	125	125				
M112	14	55	80	40				35	65	100	100	100	100			
M160	14	62	95	45					50	85	125	125	125	145		
M224	18	70	110	55						65	125	190	190	190	190	
M315	18	80	116	65						50	100	155	155	155	155	
M450	18	90	135	75							85	155	240	240	240	
M630	24	115	165	90								100	190	300	300	
M900	30	140	200	110								100	190	300	300	

SCRAPER ISO 1977 CHAINS



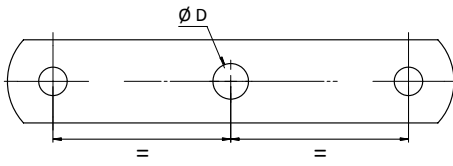
Dimensions in mm

Chain	G	L max.
MR56	26	330
MR80	28	350
MR112	30	430
MR160	35	480
MR224	39	580

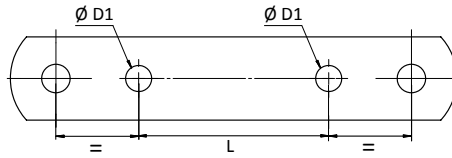
Plastic, welded or bended scraper types on request.

PLATES WITH HOLES FOR ISO 1977 CHAIN

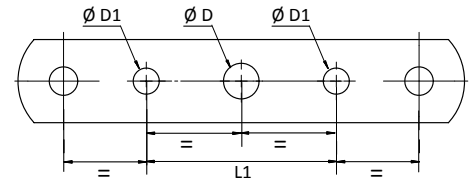
1 HOLE



2 HOLES



3 HOLES

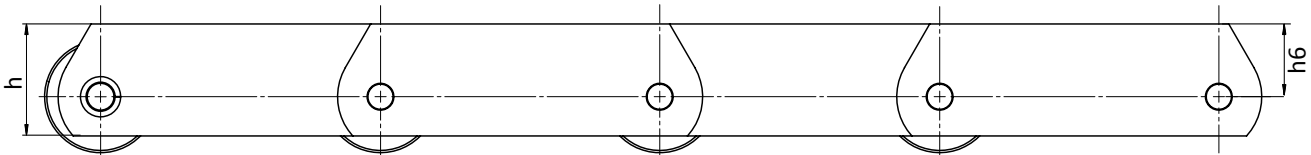


On external & internal plates

Dimensions in mm

Chain	D	D1	L	possible pitches		
				1 hole	2 holes	3 holes
M20	9			40 - 160		
M56	11	11	63	63 - 250	160 min	160 min
M80	15	11	80	80 - 315	200 min	200 min
M112	15	14	80	80 - 400	200 min	200 min
M160	21	14	100	100 - 500	250 min	250 min
M224	21	18	100	125 - 630	250 min	250 min
M315	25	18	125	160 - 630	315 min	315 min
M450	30	18	on request	200 - 630	315 min	315 min
M630	36	24	160	250 - 630	400 min	400 min
M900	45	30	200	250 - 630	500 min	500 min

DEEP LINK ISO 1977 CHAINS



Dimensions in mm

Chain	h	h6
MD20	25	16
MD56	45	30
MD80	50	32,5
MD112	60	40
MD160	70	45
MD224	90	60
MD315	100	65
MD450	120	80
MD630	140	90
MD900	180	120

THESE CHAINS CAN BE MANUFACTURED IN DELTA® HR/DELTA® TITANIUM 2 /VERTE® VERSIONS. PLEASE CONSULT US.

These chains can also be manufactured with pins and flat bushes. See our 2013 Conveyor Chain Flyer



These chains are:

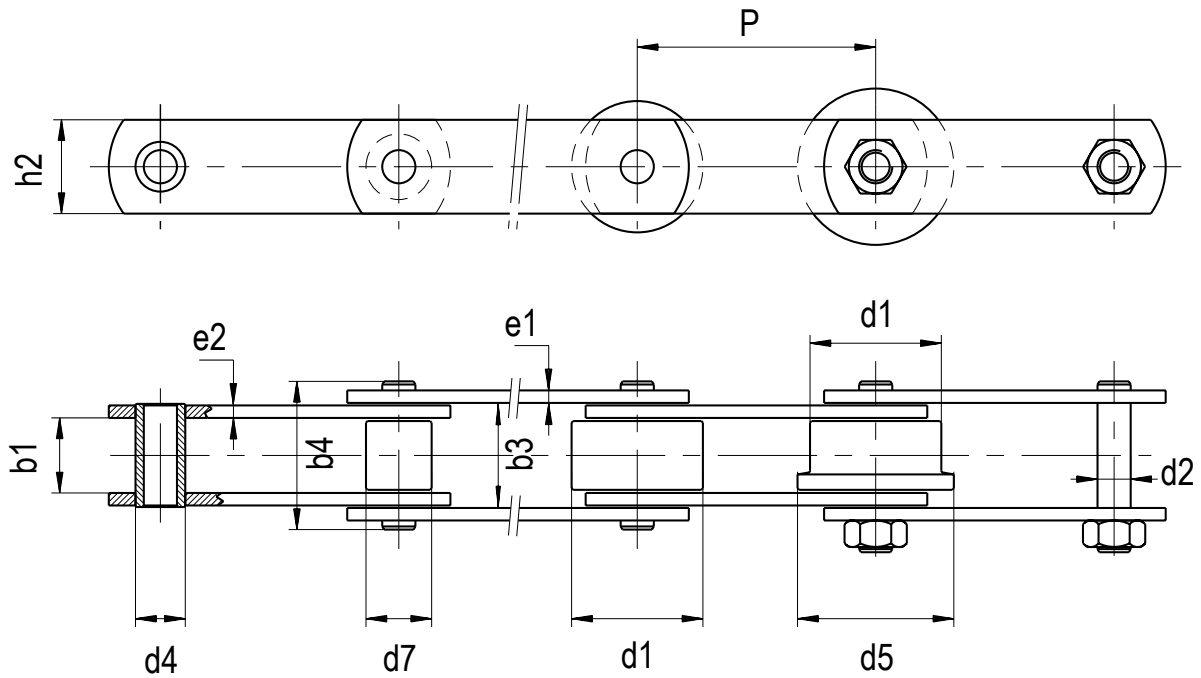
- bush chains (d4)
- small roller chains (d7)
- large roller chain (plain (d1) or flanged (d5))

The large rollers are heat treated.

We can deliver other metallurgy treatments on demand (hardening, quenching, high frequency, etc...)

The connecting links available:

- screwed connecting link N° 209
- cottered connecting link N° 208



Dimensions in mm

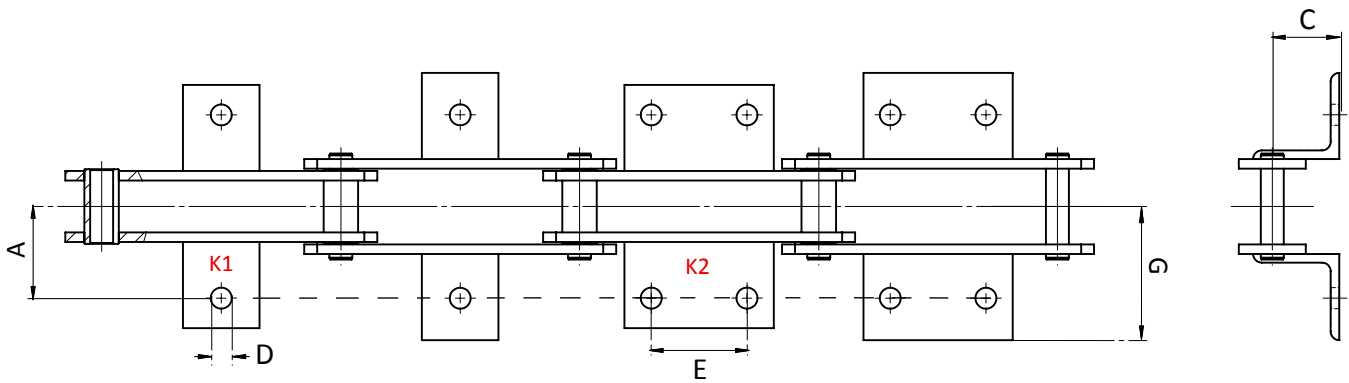
Chain	Pitch in mm												b1	h2	b3	b4	e1	e2	d2	d4	d7	d1	d5	Rr (kN)	
	(Intermediate pitches upon request)																								
	40	50	60	75	100	125	135	150	160	175	200	250													315
M 22														16,0	20,0	23,0	34,0	3,0	3,0	8	12,0	18	25,0	32	20
M 35														15,2	25,0	25,3	38,2	4,0	4,0	14	18,4	25	32,0	42	34
M 68				*										19,0	40,0	31,6	48,5	5,0	5,0	19	23,7	32	48,0	60	90
M 100				*										21,0	40,0	37,0	53,4	5,0	7,0	19	26,0	32	48,0	60	120
M 140					*									26,0	50,0	46,0	63,0	5,0	8,0	24	32,0	48	70,0	90	160
M 200														26,0	50,0	46,0	65,0	6,0	8,0	24	32,0	48	70,0	90	200
M 270						*								38,0	60,0	58,0	81,0	8,0	8,0	28	38,0	55	90,0	115	330
M 400														38,0	70,0	66,0	94,0	10,0	12,0	29,05	38,0	60	100,0	127	490

■ Possible pitches

\* Only applicable to chains with bushes and rollers

THESE CHAINS CAN BE MANUFACTURED IN  
 DELTA® HR/DELTA® TITANIUM 2 /VERTE® VERSIONS.  
 PLEASE CONSULT US.

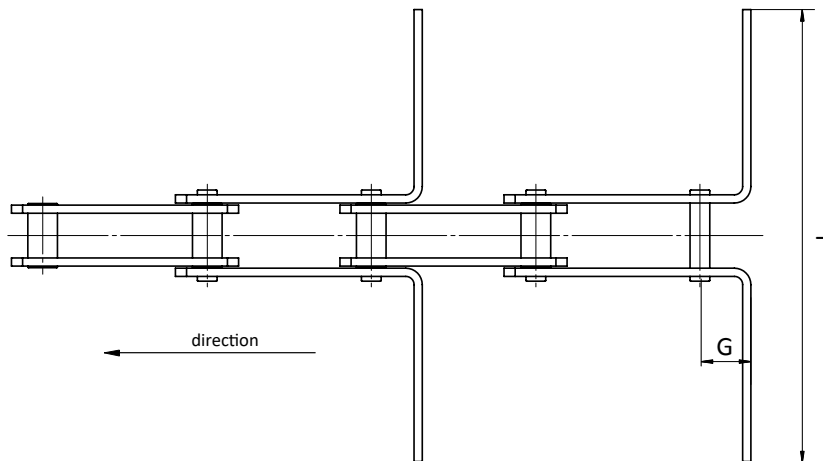
## K ATTACHMENTS FOR BS CHAINS



Dimensions in mm

Chain	D	A	G	C	E depending on the pitch											
					75	100	125	127	150	152,4	160	200	203,2	250	254	
M22	6,6	27	43,5	16,5	20	20	50									
M35	The attachments are different. Please consult us.															
M68	12,5	42,5	66,5	32			32	32	58	58		90		90		
M100	12,5	52,5	77	32			32	32	58	58		90				
M140	14,5	52,5	80	45					60	60	60	60	60			
M200	14,5	52,5	101	45					50	60	60	60	60			
M270	14,5	75	121	50					40	40	60	60	60	60	60	60
M400	17	87,5	137	55								55	55	55	55	

## SCRAPER BS CHAINS



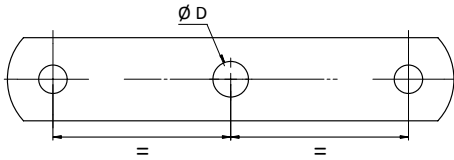
Dimensions in mm

Chain	G	L max.
MR22	18	140
MR35	30	250
MR68	30	480
MR100	37	
MR140	42	
MR200	42	
MR270	48	
MR400	45	

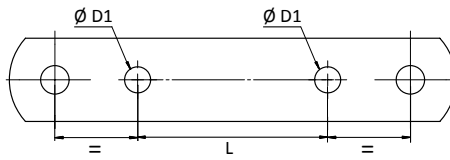
Plastic, welded or bended scraper types on demand.

PLATES WITH HOLES FOR BS CHAINS

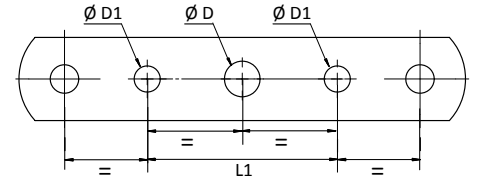
1 HOLE



2 HOLES



3 HOLES

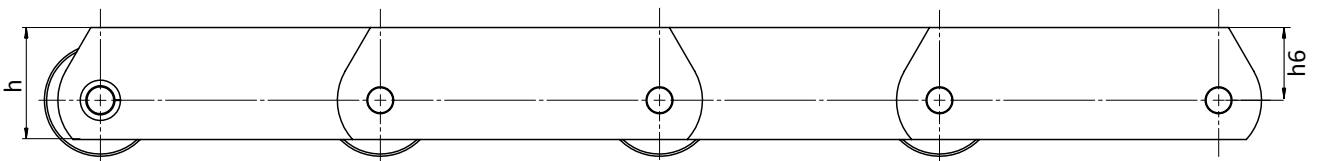


On outer and inner plates

Dimensions in mm

Chain	D	D1	L	L1	possible pitches		
					1 hole	2 holes	3 holes
M35	10,5	8,3	40		100, 125	100, 125	
M68	12,5	10,5	35, 60, 80	100	63 - 250	125, 150, 160	200, 250
M100	12,5	10,5	35, 60, 80	100	100 - 125	125, 150, 160	200, 250
M140	12,5	12,5	60	100	100 min	150 min	200 min
M200	12,5	12,5	60	100	100 min	150 min	200 min
M270	14,5	14,5	60	60	150 min	160 min	160 min
M400	17	17	100	100	160 min	200 min	200 min

DEEP LINK BS CHAINS



Dimensions in mm

Chain	h	h6
MD22	25	15
MD35	35	21,5
MD68	50	30
MD100	50	30
MD140	70	45
MD200	70	45
MD270	90	60
MD400	110	75

THESE CHAINS CAN BE MANUFACTURED IN DELTA® HR/DELTA® TITANIUM 2 /VERTE® VERSIONS.  
PLEASE CONSULT US.

# HOLLOW BEARING PIN CHAINS

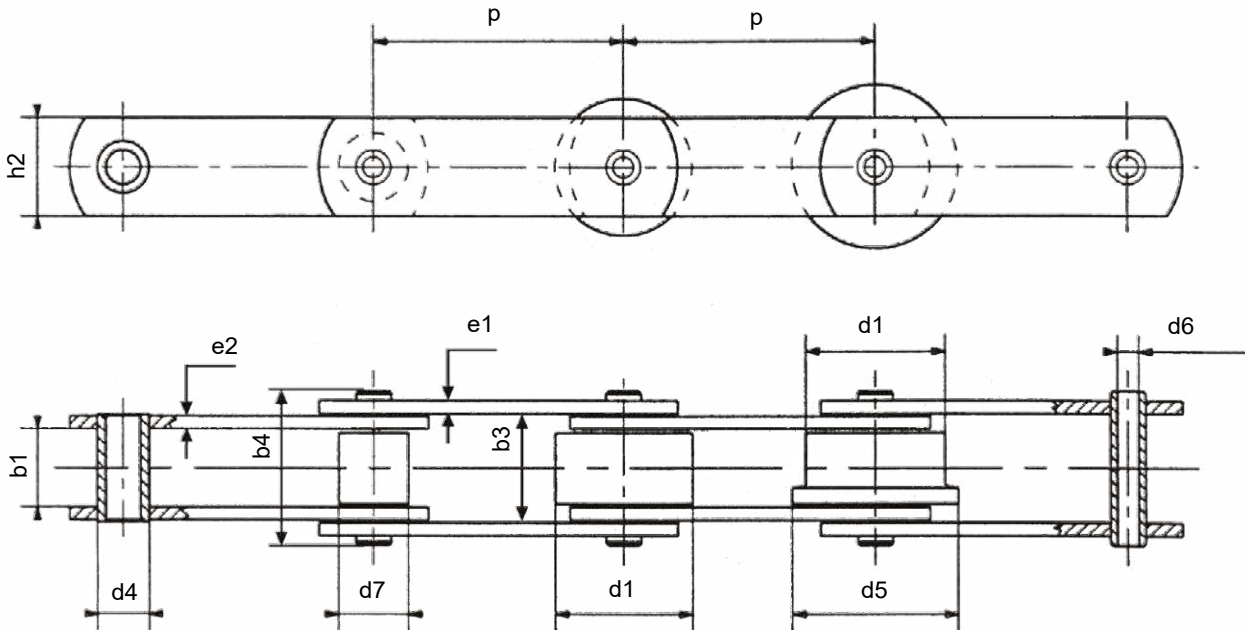
These chains are:

- bush chains (d4)
- small roller chains (d7)
- big roller chain (plain (d1) or flanged (d5))

The connecting links available:

- outer riveting link N° 205
- cottered connecting link N° 208

The big rollers are heat treated. We can deliver other metallurgy treatments on demand (hardening, quenching, high frequency, etc...).



Dimensions in mm

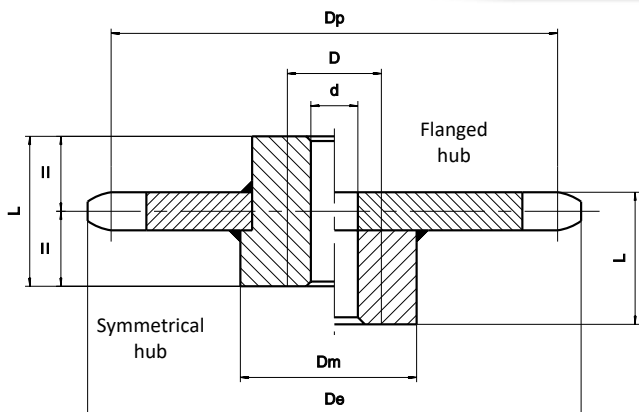
Chain	Pitch in mm														b1	h2	b3	b4	e1	e2	d6	d4	d7	d1	d5	Rr
	(Intermediate pitches on request)																									
	40	50	60	75	80	100	125	135	150	160	175	200	250	315												
ISO	MC56														23,2	35,0	33,7	46,6	4,0	5,0	10,2	21,0	-	50,0	60	70
	MC112														30,0	50,0	45,7	64,8	6,0	6,0	14,3	30,0	-	70,0	88	130
SEDIS BS chains	MC27														15,2	27,0	25,3	37,1	4,0	4,0	10,2	18,4	25	32,0	42	34
	MC55														19,0	40,0	31,6	48,5	5,0	5,0	13,3	23,7	32	48,0	60	54
	MC110														26,0	50,0	44,0	62,0	5,0	8,0	20,4	32,0	48	70,0	90	110

Note: Attachments, deep link side plates and drilled side plates are available only for Special SEDIS BS Standard chains.

■ Possible pitches

**THESE CHAINS CAN BE MANUFACTURED IN DELTA® HR/DELTA® TITANIUM 2 /VERTE® VERSIONS. PLEASE CONSULT US.**

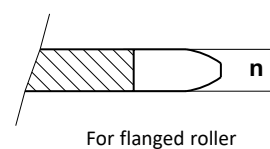
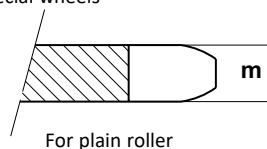
ISO STANDARD CHAINS



All our wheels are manufactured with a raw oxygen cutting or foundry tooth for chains fitted with slide rollers and flanged rollers. Wheels for bush and roller chains are tooth milled. Our Standard wheels are manufactured with flanged hub with the possibility of wheels with symmetrical hub.

We supply upon request:

- wheels with machine cut teeth for chains mentioned below
- wheels with a different number of teeth
- special wheels



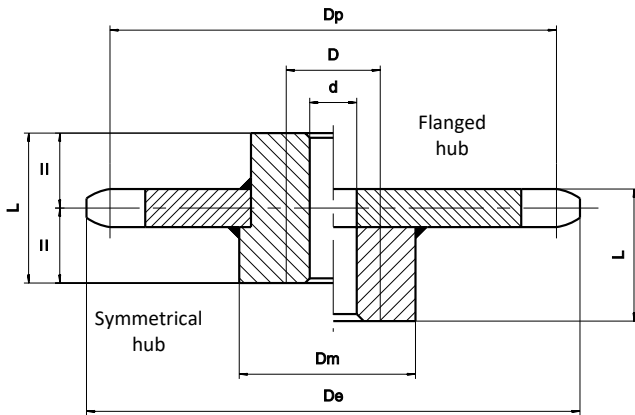
Dimensions in mm

Chain reference	Pitch	Z	Dp	De	d(H10) min.	D max.	Dm	L	Mass kg	m	n
M20	50	8	130,65	136	24	50	80	50	2,6	14	10,5
		12	193,18	200	24	50	80	50	4,0		
	63	8	164,62	172	24	50	80	50	3,1	14	10,5
		12	243,41	253	24	50	80	60	5,1		
M56	80	8	209,04	214	24	50	80	50	4,6	14	10,5
		12	309,09	318	24	60	90	70	7,3		
	100	8	261,31	270	24	60	90	70	6,5	14	10,5
		12	286,37	396	24	70	100	80	8,8		
M80	100	8	261,31	275	30	80	120	80	13,5	20	15,0
		12	386,37	404	30	100	150	100	23,0		
	125	8	326,63	340	30	80	120	80	14,7	20	15,0
		12	482,96	500	30	100	150	100	28,2		
M112	160	8	418,09	432	30	100	150	100	24,6	20	15,0
		12	618,19	635	40	120	170	120	41,0		
	200	8	522,62	536	30	100	150	100	30,9	20	15,0
		12	772,74	788	40	120	170	120	52,3		
M160	100	8	261,31	278	30	80	130	80	15,3	20	15,0
		12	386,37	406	30	100	160	100	28,0		
	125	8	326,63	342	30	80	130	80	20,4	20	15,0
		12	482,96	503	30	100	160	100	33,4		
M224	160	8	418,09	436	30	100	160	100	28,4	22	18,0
		12	618,19	636	40	120	190	120	50,4		
	200	8	522,62	540	30	100	160	100	35,8	22	18,0
		12	772,74	792	40	120	190	120	63,0		
M315	125	8	326,63	346	30	80	150	80	23,0	25	20,0
		12	482,96	506	30	100	170	100	39,0		
	160	8	418,09	438	30	100	170	100	39,4	25	20,0
		12	618,19	640	40	120	200	120	60,3		
M450	200	8	522,62	542	30	100	170	100	43,2	25	20,0
		12	772,74	794	40	120	200	120	75,6		
	250	8	653,27	670	40	120	200	120	64,5	25	20,0
		12	965,92	988	40	140	240	140	109,0		
M630 & M900	160	8	418,09	442	30	100	200	100	47,8	30	24,0
		12	618,19	645	40	120	230	120	77,8		
	200	8	522,62	544	30	100	200	100	57,0	30	24,0
		12	772,74	798	40	120	230	120	99,4		
M224	250	8	653,27	676	40	120	230	120	83,5	30	24,0
		12	965,92	992	40	140	260	140	139,8		
	315	8	823,12	844	40	120	230	120	107,0	30	24,0
		12	1 217,06	1243	40	140	260	140	186,4		
M315	160	8	418,09	448	40	120	220	120	58,4	35	25,0
		12	618,19	650	40	140	260	140	120,0		
	200	8	522,62	550	40	120	220	120	80,0	35	25,0
		12	772,74	804	40	140	260	140	130,0		
M315	250	8	653,27	680	40	140	260	140	112,0	35	25,0
		12	965,92	998	50	160	300	160	186,0		
	315	8	823,12	850	40	140	260	140	144,0	35	25,0
		12	1 217,06	1249	50	160	300	160	245,0		
M315	160	8	418,09	448	40	120	250	120	68,0	40	30,0
		12	618,19	653	40	140	300	140	141,0		
	200	8	522,62	552	40	120	250	120	91,0	40	30,0
		12	772,74	807	40	140	300	140	165,0		
M450	250	8	653,27	680	40	140	300	140	149,0	40	30,0
		12	965,92	1003	50	160	340	160	239,0		
	315	8	823,12	854	40	140	300	140	175,0	40	30,0
		12	1 217,06	1254	50	160	340	160	310,0		
M450	200	8	522,62	559	40	140	280	140	120,0	45	35,0
		12	772,74	800	50	160	320	160	259,0		
	250	8	653,27	689	50	160	320	160	193,0	45	35,0
		12	965,92	987	50	180	380	180	323,0		
315	8	823,12	815	50	160	320	160	269,0	45	35,0	
	12	1 217,06	1229	50	180	380	180	412,0			
400	8	1 045,24	1020	50	180	380	180	352,0	45	35,0	
	12	1 545,48	1547	60	200	460	200	630,0			
CONSULT US											

These wheels are available with 10 and 16 teeth. Do not hesitate in consulting us. Dimensions subject to change. Please consult us for verification.

WHEELS AND SPROCKETS FOR CONVEYOR CHAINS

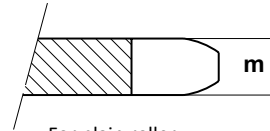
BS STANDARD CHAINS



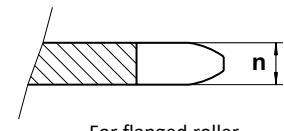
All our wheels are manufactured with a raw oxygen cutting or foundry tooth for chains fitted with slide rollers and flanged rollers. Wheels for bush and roller chains are tooth milled. Our Standard wheels are manufactured with flanged hub with the possibility of wheels with symmetrical hub.

We supply upon request:

- wheels with machine cut teeth for chains mentioned below
- wheels with a different number of teeth
- special wheels



For plain roller



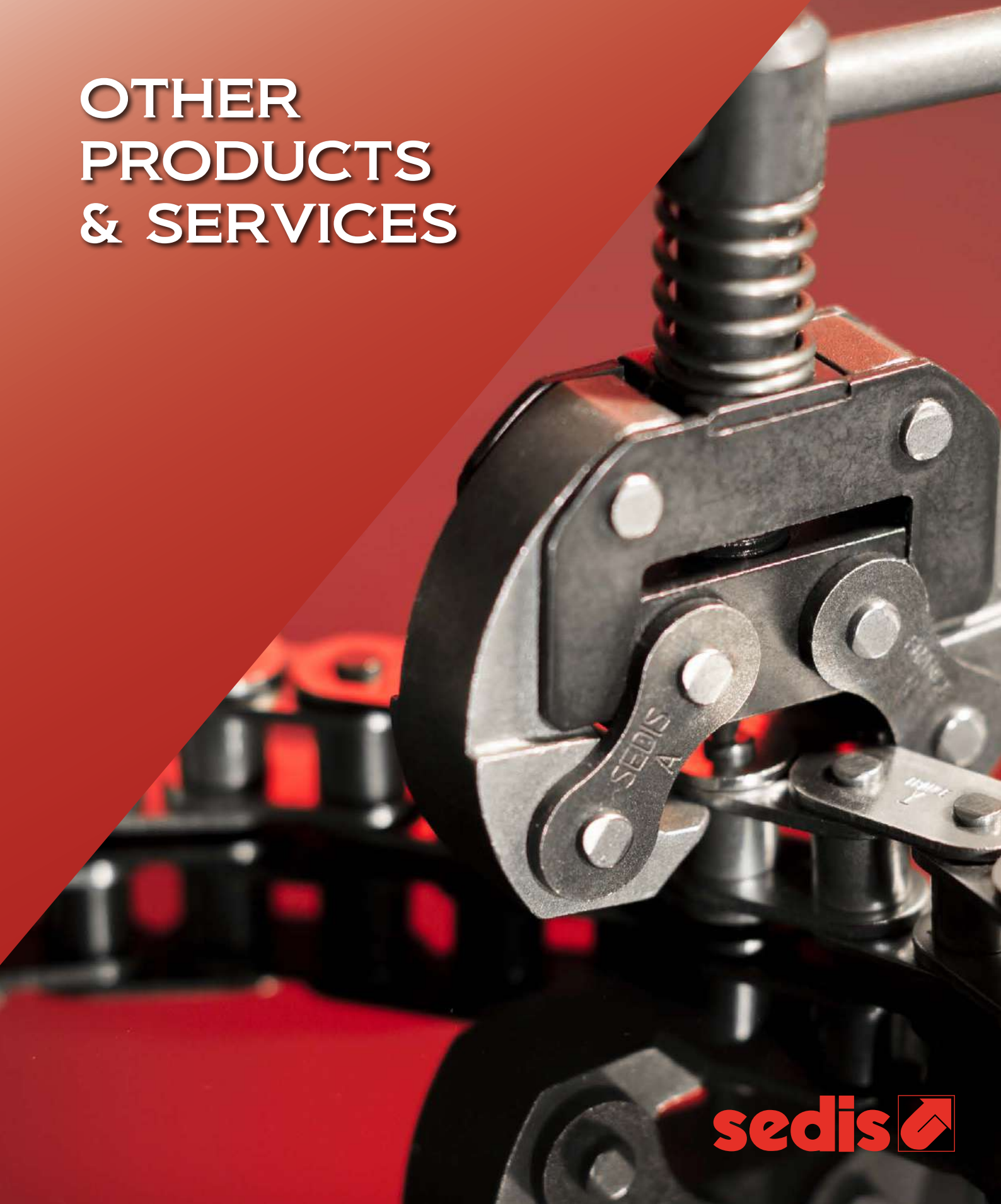
For flanged roller

Dimensions in mm

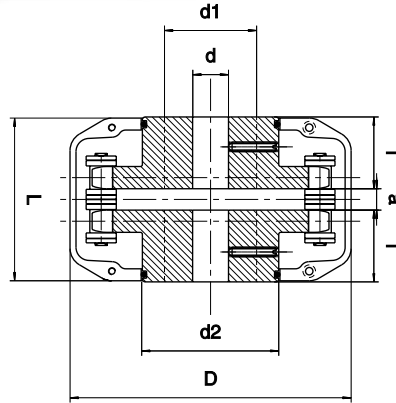
Chain reference	Pitch	Z	$D_p$	$D_e$	$d(H10)$ min.	$D$ max.	$D_m$	L	Mass kg	m	n	
M22	50	8	130,65	140	24	50	80	60	3	12,6	9,0	
		12	193,18	203	24	50	80	60	5			
	75	8	195,98	206	24	50	80	60	6	12,6	9,0	
		12	289,77	299	24	50	80	60	10			
	M35	100	8	261,31	271	24	50	80	60	9	12,6	9,0
			12	386,37	396	24	50	80	60	16		
		125	8	326,63	336	24	50	80	60	12	12,6	9,0
			12	482,96	492	24	50	80	60	21		
M35	50	8	130,66	145	25	35	70	40	2	12,0	10,0	
		12	193,19	208	30	50	100	50	5			
	60	8	156,79	172	25	50	100	50	4	12,0	10,0	
		12	231,82	247	30	60	115	65	8			
	M68	75	8	195,98	211	25	50	100	50	6	12,0	10,0
			12	289,78	304	30	60	115	65	11		
		100	8	261,31	276	30	60	115	65	9	12,0	10,0
			12	386,37	401	30	70	120	75	16		
M100	125	8	326,64	346	30	60	115	65	16	15,0	12,0	
		12	482,96	502	30	70	120	75	29			
	150	8	391,97	411	30	70	120	75	22	15,0	12,0	
		12	579,56	599	30	70	120	75	39			
	M140	75	8	195,98	217	25	50	100	50	7	18,0	13,5
			12	289,78	311	30	60	115	65	14		
		100	8	261,31	282	30	60	115	65	11	18,0	13,5
			12	386,37	407	30	70	120	75	20		
M140	125	8	326,64	347	30	60	115	65	16	18,0	13,5	
		12	482,96	504	30	70	120	75	29			
	150	8	391,97	413	30	70	120	75	22	18,0	13,5	
		12	579,56	600	30	70	120	75	39			
	M200	100	8	261,31	287	30	90	150	80	18	22,0	15,0
			12	386,37	412	30	90	150	80	28		
		125	8	326,64	352	30	90	150	80	20	22,0	15,0
			12	482,96	509	30	90	150	80	40		
M270	160	8	391,97	418	30	90	150	80	30	22,0	15,0	
		12	579,56	605	30	90	150	80	55			
	200	8	418,10	444	30	90	150	80	35	22,0	15,0	
		12	618,19	644	30	90	150	80	65			
M270	150	8	522,63	548	30	90	150	80	45	32,0	25,0	
		12	772,74	798	30	90	150	80	90			
	200	8	391,97	422	30	110	180	140	62	32,0	25,0	
		12	579,56	610	30	110	180	140	116			
	M400	250	8	522,63	553	30	110	180	140	114	32,0	25,0
			12	772,74	803	30	110	180	140	184		
		150	8	653,28	684	30	110	180	140	134	32,0	25,0
			12	965,93	996	30	110	180	140	224		
M400	160	8	391,97	422	30	120	200	160	62	32,0	25,0	
		12	579,56	610	30	120	200	160	116			
	200	8	418,10	449	30	120	200	160	66	32,0	25,0	
		12	618,19	649	30	120	200	160	120			
	M400	250	8	522,63	553	30	120	200	160	114	32,0	25,0
			12	772,74	803	30	120	200	160	184		
		150	8	653,28	684	30	120	200	160	134	32,0	25,0
			12	965,93	996	30	120	200	160	224		

These wheels are available with 10 and 16 teeth. Do not hesitate in consulting us. Dimensions subject to change. Please consult us for verification.

# OTHER PRODUCTS & SERVICES



CHAIN COUPLINGS



**CHAIN COUPLINGS WITHOUT PROTECTION HAVE DIFFERENT DIMENSIONS. THEY ARE AVAILABLE WITHOUT KEYWAY AND WITHOUT GRUB SCREW. IN DOUBT, CONSULT US.**

Dimensions in mm

References		d	d1	d2	l	D	L	a	Maximum misalignment between shafts (mm)	Maximum angular shafts divergence (degrees)	Mass (without case) (kg)
With case	Without case										
A203	A203SP	12	28	42	30	80	65	5,04	0,25	1°	0,82
A207	A207SP	12	34	56	28	97	63	6,82	0,25	0°50'	1,65
A211	A211SP	14	48	70	30	117	68	7,69	0,25	0°50'	3,00
A213	A213SP	16	55	80	35	145	79	8,61	0,30	0°40'	4,60
A215	A215SP	20	65	100	45	190	106	15,98	0,30	0°40'	10,00
	A217SP	30	77	114	60	-	138	18,10	0,40	0°35'	20,00
	A218SP	40	97	148	70	-	165	24,46	0,40	0°30'	40,00
	A220SP	50	112	162	85	-	201	30,41	0,50	0°30'	65,00
	A222SP	50	127	185	90	360	210	29,40	0,50	0°30'	75,00
	A223SP*	60	150	220	120	450	277	36,34	0,60	0°30'	150,00
	A224SP*	80	170	280	150	-	348	48,01	0,60	0°30'	260,00

\* manufactured on request

Sprockets are 18 teeth type except for A224 (16 teeth type).

TRANSMISSIBLE POWER RATING IN KW (CONSTANT TORQUE)

References	rpm																
	25	50	75	100	200	300	400	500	600	900	1 200	1 500	1 800	2 500	3 000	3 600	4 800
A203	0,1	0,3	0,4	0,6	1,1	1,7	2,2	2,8	3,3	5,0	6,7	8,3	10,0	13,7	16,3	19,3	24,9
A207	0,3	0,7	1,0	1,4	2,8	4,1	5,5	6,9	8,2	12,3	16,4	20,4	24,3	33,2	39,3	46,0	
A211	0,6	1,1	1,7	2,2	4,5	6,7	9,0	11,2	13,4	20,1	26,6	33,1	39,4	53,3	62,5		
A213	0,9	1,7	2,6	3,4	6,8	10,3	13,7	17,1	20,4	30,5	40,3	49,9	59,0	78,7			
A215	2,5	5,0	7,5	10,0	20,0	29,9	39,8	49,7	59,4	88,2	115,8	141,9	166,0				
A217	5,1	10,2	15,3	20,5	40,9	61,2	81,4	101,5	121,4	179,4	234,4	285,1					
A218	10,3	20,7	31,0	41,3	82,5	123,4	163,9	203,9	243,3	356,5	459,5	548,8					
A220	16,2	32,4	48,5	64,7	129,1	192,9	256,0	317,9	378,5	549,4	698,4						
A222	23,2	46,4	69,6	92,8	185,1	276,6	366,8	455,3	541,6	783,6							
A223	47,9	95,8	143,6	191,4	381,5	568,5	752,2	930,1	1 101,3								
A224	70,1	140,2	210,1	280,0	557,5	829,8	1 094,6	1 349,2	1 591,1								

**Coupling selection:** select a coupling whose rated power Pn (or transmissible power) is given in the table above. Rated power Pn (as per table) has to be higher than the power to be transmitted x safety factor "S".

SAFETY FACTOR "S"

Class of transmission	Electric motor ou turbine	I.C. engine with hydraulic drive	I.C. engine with mechanical drive
A - Steady loading	1,0	1,2	1,4
B - Irregular loads	1,2	1,4	2,0
C - Irregular shock loads	1,8	2,0	2,3

Correction

Multiply these factors by:  
 - 1,15: for operating 16/24 hours  
 - 1,30: for operating 24/24 hours



Gauges available for measuring the wear elongation of chains:

- J (LL) & AL type leaf chains
- LH/BL type leaf chains & roller chains



## CHAIN EXTRACTOR TOOLS



### CHAIN EXTRACTOR REF 9130

Simplex, duplex and triplex chains of pitches from 8 to 19,05mm in British and American standards



### CHAIN EXTRACTOR REF 9160

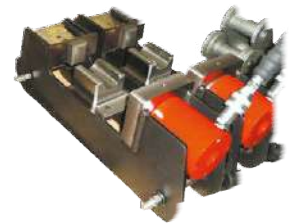
Simplex, duplex and triplex chains of pitches from 25,4 to 31,75mm in British and American standards

This tooling is used to extract the pins of a transmission chain facilitating the dismantling of an outer link. It is recommended to file the pins before removing them.

## ASSEMBLING AND EXTRACTING TOOL

Tooling used to dismantle and assemble all our conveyor chains, special and standard, in all pitch sizes. Dismantling possible on unriveted pins.

Widely used in theme parks, cement and sugar industries, etc...



## SEDIS SERVICE



The performance of an equipment is not only due to an excellent quality of product but also to a proper installation and an appropriate maintenance, that's why you can trust our experienced team for complete installation, maintenance and refurbishing of your conveyor lines on site, for any industry.

SEDIS Service performs:

- *Prescription*
- *Assessment study*
- *Installation*
- *Training*
- *Application analysis*

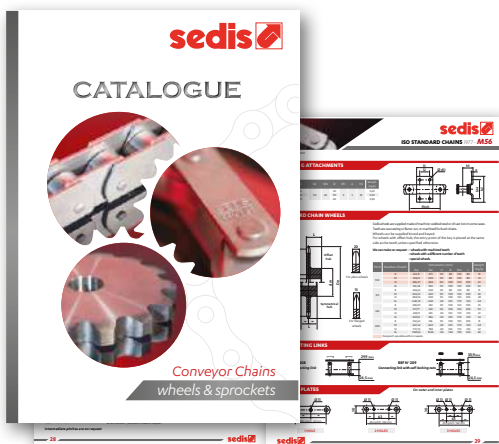
From design to installation,  
one contact:  
**SEDIS**

FOR FURTHER INFORMATION PLEASE CONTACT US

# OTHER AVAILABLE BROCHURES AND CATALOGUES

## CONVEYOR CHAINS CATALOGUE

## INDUSTRIAL COMPONENTS CATALOGUE



## NEW CONVEYOR OFFERING



## RANGES FLYERS

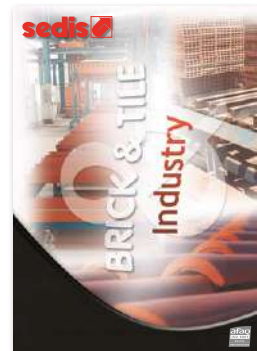
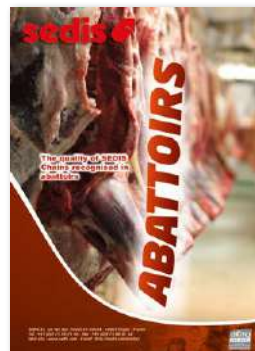
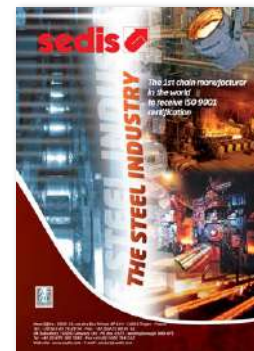
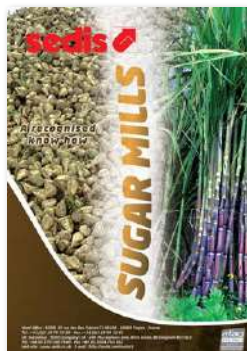
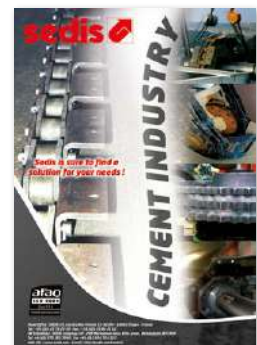
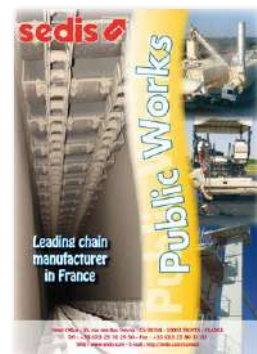
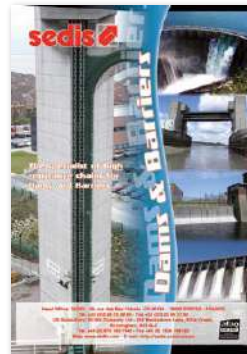
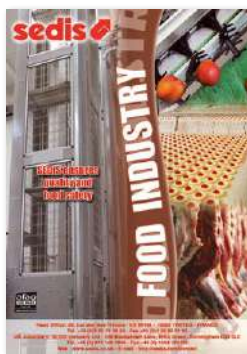


# OTHER AVAILABLE BROCHURES AND CATALOGUES

## CORPORATE BROCHURE





## SPECIFIC APPLICATION BROCHURES



## SEDIS - HEAD OFFICE

6 rue Nicolat Siret  
CS 90104, 10003 TROYES Cedex  
France

 +33 (0) 3 25 76 29 50

 +33 (0) 3 25 80 31 62


 <http://sedis.com/contact>

 [www.sedis.com](http://www.sedis.com)

 <https://www.linkedin.com/company/sedis>


## SEDIS - LOGISTIC PLATFORM

9 rue de la Douane  
10600 LA CHAPELLE SAINT LUC  
France

 +33 (0) 3 10 64 17 80


## SEDIS - VERRIERES FACTORY

6 rue de Verjoux  
25300 VERRIERES-DE-JOUX  
France

 +33 (0) 3 81 38 40 60


## SEDIS - TROYES FACTORY


35 rue des Bas Trévois  
CS 90104, 10003 TROYES Cedex  
France

 +33 (0) 3 25 76 29 50

## SEDIS COMPANY LTD

248 Mackadown Lane, Kitts Green  
BIRMINGHAM, B33 0LE  
UK


 +44 (0) 121 783 2636


 **office** +44 (0) 870 160 7840

 [sales@sedis.co.uk](mailto:sales@sedis.co.uk)

## SEDIS ITALIA

Via Pietro Mascagni 42  
20030 SENAGO (MI)  
ITALIA


 +39 (0) 2 47 76 11 97

 +39 (0) 2 38 23 67 76

 [aconan@sedis.com](mailto:aconan@sedis.com)

## SEDIS GMBH

Schürmannstr. 16  
D-45136 Essen  
DEUTSCHLAND

 +49 (0) 159 044 96 027

 [ugrimmert@sedis.com](mailto:ugrimmert@sedis.com)